

Certified according to DIN EN ISO 9001

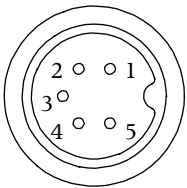
Technical Datasheet



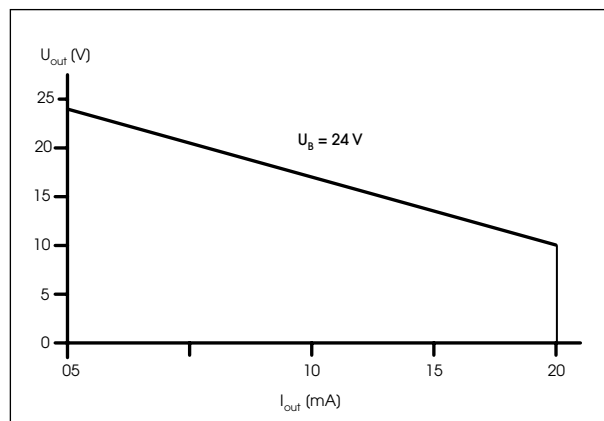
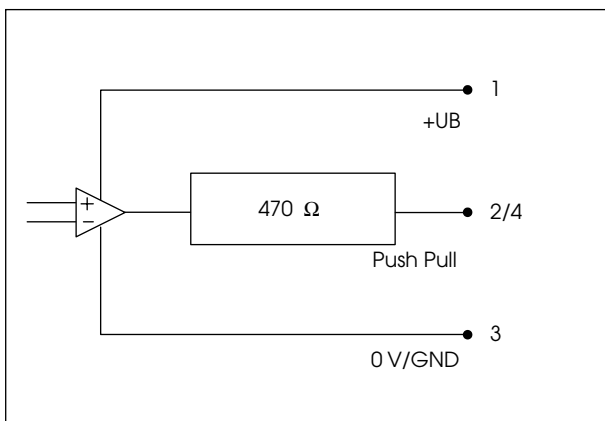
VHE* and VHD* Halleffect Pulse Amplifier

Technical Data

	VHE single pickup	VHD dual pickup
Supply voltage:	12 to 24 V DC, max. 10 mA	12 to 30 V DC, max. 10 mA
Frequency range:	1 to 3,000 Hz	1 to 3,000 Hz
Output:	square wave pulses	square wave pulses double measuring frequency and reverse flow detection
Output impedance:	approx. 470 Ω	approx. 470 Ω
Temperature range::	0 up to +70 °C	0 up to +70 °C
Electrical connection:	5-pin plug 1 = supply voltage 2 = output signal 3 = 0V/GND 4 = nc 5 = nc	5-pin plug 1 = supply voltage 2 = output signal 1: fx2 3 = 0V/GND 4 = output signal 2: reverse flow 5 = nc



Electrical Output

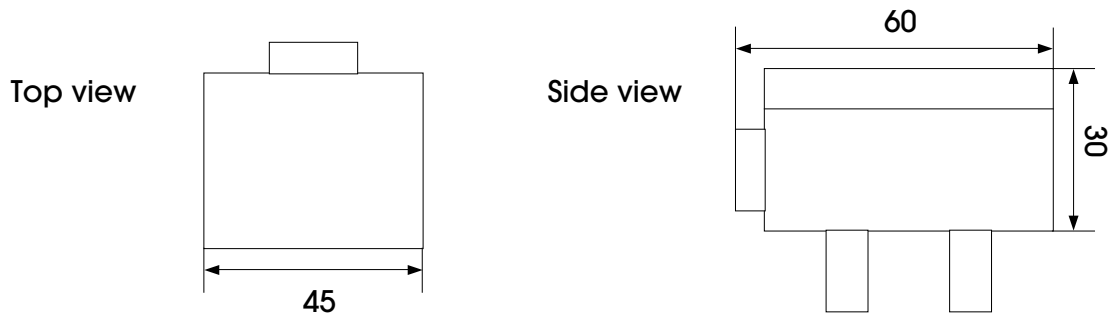


PIN 2 = VHD: f x 2, VHE: single frequency
PIN 4 = VHD: reverse flow, VHE: n.c.

$$U_{out} = (U_B - 0,5 V) - (I_{out} \times 470 \Omega)$$

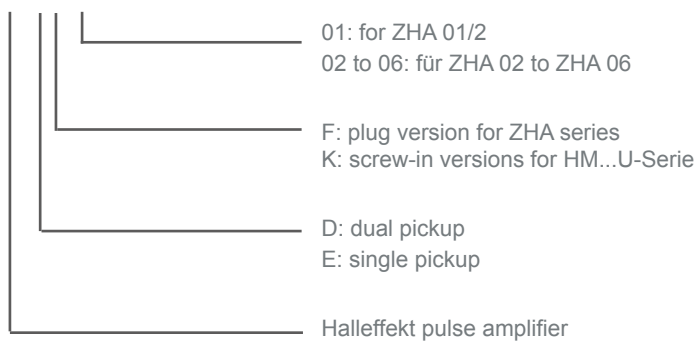
$$I_{out} = (U_B - 0,5 V) : (470 \Omega + R_{load})$$

Dimensional Drawing (mm)



Ordering Information

VH * *.**



Contact worldwide

KEM-Headquarter

Liebigstraße 2
D-85757 Karlsfeld
T. +49 8131 5 93 91 - 0
F: +49 8131 9 26 04
info@kem-kueppers.com

KEM-Office West

Im Langen Hahn 44
D-58515 Lüdenscheid
T. +49 2351 9 78 80
F: +49 2351 9 78 83 1
kem-west@kem-kueppers.com

KEM-Office South

Dahlienweg 35
D-73765 Neuhausen
T. +49 7158 98 56 82
F: +49 7158 98 56 83
kem-sued@kem-kueppers.com

Denmark

E. Eberhardt ApS
Bygstubben 6
DK-2950 Vedbæk
T. +45/45/89 33 66
info@eeberhardt.dk

Norway

Flow Teknikk as
Olav Brunborgsv. 27, Postboks 244
N-1377 Billingstad
T. +47/66/77 54 00
mail@flow.no

Singapore

Polyquip Engineering Pte Ltd
Blk 20 Woodlands Link #08-12
Woodlands East Industrial Est.
SGP- 738733 Singapur
T. +65/6753/79 97
sales@polyquip.com.sg

China

KEM China
Mr. Xiao Tianxiang
Rm.2429, JinYuan Office Building, No. 36,
CN- BeiYuan Road, Beijing 100012
T. +86/10/52 00 37 38
Shaw@kem-kueppers.com

Poland

Newtech Engineering
ul. Sowinskiego 3
PL-4-100 Gliwice
T. +48/32/237 61 98
newtech@newtech.com.pl

Slovakia

Bibus SK, s.r.o.
Priemysel'na 4
SK-949-01 Nitra
T. +421/377/41 25 25
gyenes@bibus.sk

Finland

Wexon Oy
Juhanilantie 4
FI-01740 Vantaa
T. +358/9/29 04 40
wexon@wexon.com

Portugal

Contimetra Departamento Indústria
R. Braamcamp 88-40 Dt0
P-1269-020 Lisboa
T. +351/213/86 05 00
contimetra@contimetra.com

Spain

Ortrat S.L.
Calle La Sofora 13 + 15
ES-28020 Madrid
T. +349/1/57 91 60 6
ortrat@ortrat.es

United Kingdom & Eire

KEM Küppers UK
2 Highfield Drive
Ickenham Uxbridge
UB10 8AL England
T. +44/1895/23 35 52
hans.rader@kueppers.co.uk

Russia

Michael Dueck
Industrievertretungen und Vertrieb
St.-Vither-Str. 12
D-50171 Kerpen
T. +49/2237/67 91 88
info@m-dueck.de

Taiwan

Yuden Electric Co.,Ltd
Taiwan Headquarter
5F, No.121, Li De ST, JHONGHE TAIPEI
COUNTY 235, Taiwan ROC
T. +886/2/82 21 29 58
sales@yuden.com.tw

Hong Kong Area

Asia Technology and Instrument Ltd.
Unit 5, 9/F., Free Trade Centre
49 Tsun Yip Street, Kwun Tong
HK-Kowloon
T. +85/227/16 55 56
ati@ati.com.hk

Sweden

Pentronic AB
SE-590 93 Gunnebobruk
T. +46/490/25 85 00
info@pentronic.se

United States of America

AW-LAKE Company
Electronics for Instrumentation
8809 Industrial Dr.
Franksville, WI 53126, USA
T. +1/262/88 49 80 0
sales@aw-lake.com

Italy

Ingg. Vigo e Cova SAS
Piazzale Segrino 6/a
I-20159 Milano
T. +39/02/668 82 02
vigo.cova@vigocova.com

www.kem-kueppers.com
info@kem-kueppers.com