

Certified according to DIN EN ISO 9001

Technical Datasheet



KPS

Turbidity Meter

Application	3
Technical Data	3
Dimensional Drawings	4

Index

Index

Application

The turbidity sensor serves the optimizing of industrial production processes. The sensor detects and evaluates subtle changes in the product composition of various liquids. The user receives an output signal of 4 to 20 mA in accordance with the degree of turbidity which may be used for process control. Thanks to a great variety of process connectors the KPS may be used in various industrial sectors.

Applications

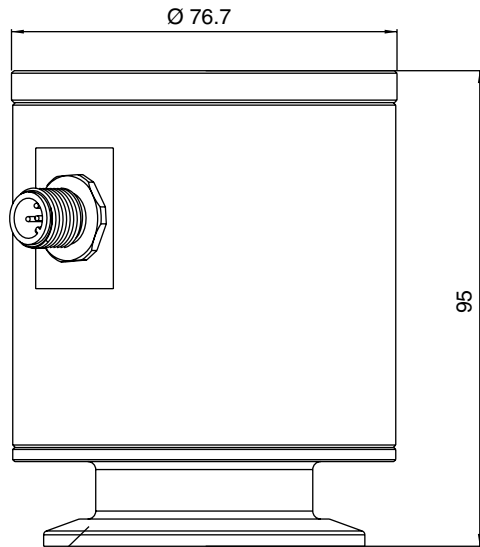
- Product monitoring
- CIP monitoring
- Phase break
- Detect filter breaks
- Monitor waste streams

Technical Data

Measuring principle	ultrared light scatter	
Measuring range	150 up to 4,000 NTU	
Linearity	±0.2% of span	
Repeatability	±1 % of span	
Output signal	4 up to 20 mA	
Pressure	max. 14 bar	
Temperature	ambience: 0 up to 50°C process: 0 up to 100°C CIP cleaning: up to 150°C (max. 30 min.)	
Materials	housing and connector: stainless steel SS316L lense: sapphire lense seal: FDA-approved silicone rubber	
Connector	tri-clamp, dairy fittings or VARIVENT® (other connectors on request)	
Power consumption	0.45 W	
Supply voltage	15 up to 24 VDC	
Electrical connection	5-pin plug 1 = -Iout 2 = +Iout 3 = +UB 15–24 V DC 4 = -UB 5 = nc	
Protection class	IP 67/NEMA 6	
Approval	3-A sanitary standards	
Weight	approx. 1.4 kg	

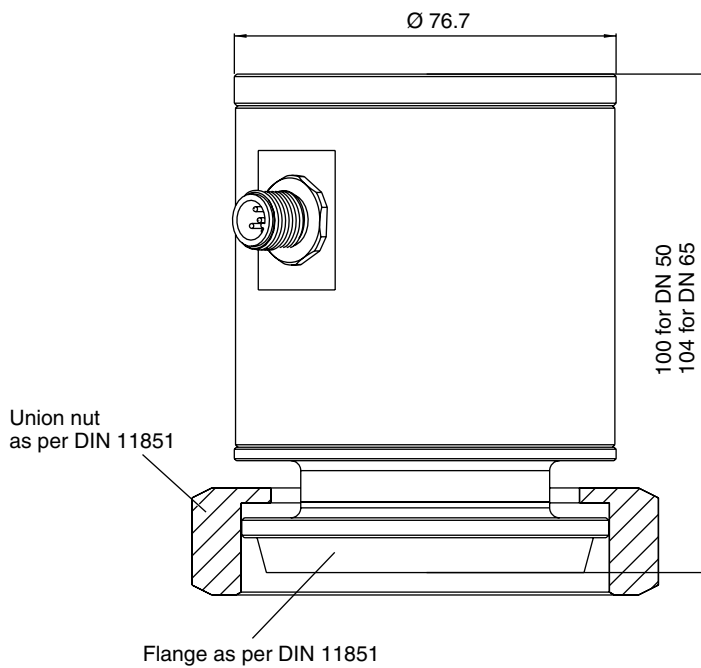
Dimensional Drawings

(tri-clamp:



Type	Ø FT-Flange
KPS 1.5	50.4 mm
KPS 2.0	63.9 mm
KPS 2.5	77.4 mm
KPS 3.0	90.9 mm

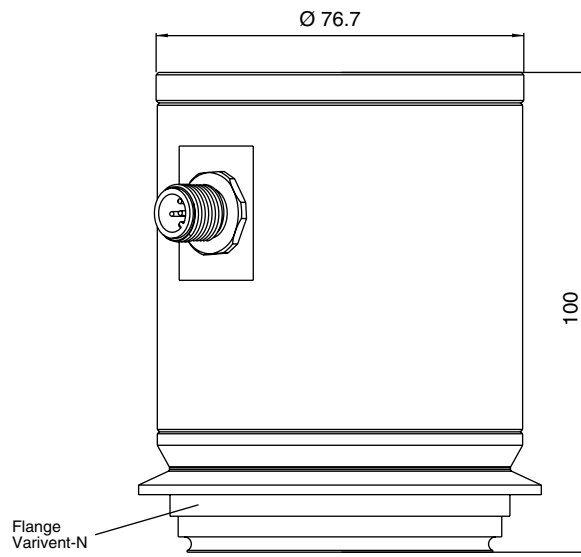
dairy fittings:



Type	Ø DN (RV)
KPS 50	DN 50
KPS 65	DN 65

Dimensional Drawings

Varivent®:



Type	Ø DN
KPS 40	68 (From N)

Contact worldwide

KEM-Headquarter

Liebigstraße 2
D-85757 Karlsfeld
T. +49 8131 5 93 91 - 0
F: +49 8131 9 26 04
info@kem-kueppers.com

KEM-Office West

Im Langen Hahn 44
D-58515 Lüdenscheid
T. +49 2351 9 78 80
F: +49 2351 9 78 83 1
kem-west@kem-kueppers.com

KEM-Office South

Dahlienweg 35
D-73765 Neuhausen
T. +49 7158 98 56 82
F: +49 7158 98 56 83
kem-sued@kem-kueppers.com

Denmark

E. Eberhardt ApS
Bygstubben 6
DK-2950 Vedbæk
T. +45/45/89 33 66
info@eeberhardt.dk

Norway

Flow Teknikk as
Olav Brunborgsv. 27, Postboks 244
N-1377 Billingstad
T. +47/66/77 54 00
mail@flow.no

Singapore

Polyquip Engineering Pte Ltd
Blk 20 Woodlands Link #08-12
Woodlands East Industrial Est.
SGP- 738733 Singapur
T. +65/6753/79 97
sales@polyquip.com.sg

China

KEM China
Mr. Xiao Tianxiang
Rm.2429, JinYuan Office Building, No. 36,
CN- BeiYuan Road, Beijing 100012
T. +86/10/52 00 37 38
Shaw@kem-kueppers.com

Poland

Newtech Engineering
ul. Sowinskiego 3
PL-4-100 Gliwice
T. +48/32/237 61 98
newtech@newtech.com.pl

Slovakia

Bibus SK, s.r.o.
Priemysel'na 4
SK-949-01 Nitra
T. +421/377/41 25 25
gyenes@bibus.sk

Finland

Wexon Oy
Juhanilantie 4
FI-01740 Vantaa
T. +358/9/29 04 40
wexon@wexon.com

Portugal

Contimetra Departamento Indústria
R. Braamcamp 88-40 Dt0
P-1269-020 Lisboa
T. +351/213/86 05 00
contimetra@contimetra.com

Spain

Ortrat S.L.
Calle La Sofora 13 + 15
ES-28020 Madrid
T. +349/1/57 91 60 6
ortrat@ortrat.es

United Kingdom & Eire

KEM Küppers UK
2 Highfield Drive
Ickenham Uxbridge
UB10 8AL England
T. +44/1895/23 35 52
hans.rader@kueppers.co.uk

Russia

Michael Dueck
Industrievertretungen und Vertrieb
St.-Vither-Str. 12
D-50171 Kerpen
T. +49/2237/67 91 88
info@m-dueck.de

Taiwan

Yuden Electric Co.,Ltd
Taiwan Headquarter
5F, No.121, Li De ST, JHONGHE TAIPEI
COUNTY 235, Taiwan ROC
T. +886/2/82 21 29 58
sales@yuden.com.tw

Hong Kong Area

Asia Technology and Instrument Ltd.
Unit 5, 9/F., Free Trade Centre
49 Tsun Yip Street, Kwun Tong
HK-Kowloon
T. +85/227/16 55 56
ati@ati.com.hk

Sweden

Pentronic AB
SE-590 93 Gunnebobruk
T. +46/490/25 85 00
info@pentronic.se

United States of America

AW-LAKE Company
Electronics for Instrumentation
8809 Industrial Dr.
Franksville, WI 53126, USA
T. +1/262/88 49 80 0
sales@aw-lake.com

Italy

Ingg. Vigo e Cova SAS
Piazzale Segrino 6/a
I-20159 Milano
T. +39/02/668 82 02
vigo.cova@vigocova.com

www.kem-kueppers.com
info@kem-kueppers.com