

Certified according to DIN EN ISO 9001

## Technical Datasheet



### HM.../U\*

Turbine Flow Meters for Low-Viscosity Fluids

**Description**

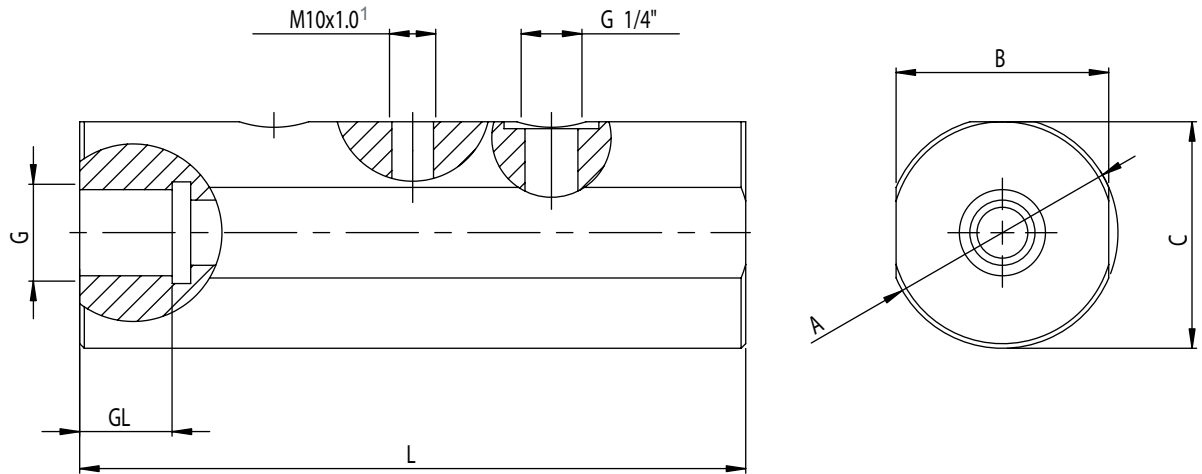
Turbine flow meters are suitable for the precise measurement of actual flow rates and totals of low-viscosity fluids. A pickup detects the r.p.m. of the turbine wheel and provides a flow proportional output signal.

Technical Data - HM.../U

Type	Measuring range ltr./min	K-factor pulses/ltr.	Frequency range, Hz
HM 007/U*	1.2 up to 20	4,800	1,800
HM 011/U*	6 up to 60	2,800	1,350
HM 022/U*	15 up to 300	605	800
HM 030/U*	40 up to 600	204	860

Linearity:	±1.5% of actual flow
Temperature:	-20 up to +180°C
Max. Pressure:	HM 007/011/022/U*: 400 bar HM 030/U*: 315 bar
Materials:	housing: anodised aluminium (AlMgSi1-EN573-3) Internal parts: stainless steel 1.4305 (SS303) wheel: stainless steel 1.4404 (SS316L) or 1.4122 (SS303) bearings: slide bearings / ball bearings
<b>Electrical Data</b>	
Output:	<ul style="list-style-type: none"> <li>• voltage U<sub>ss</sub> 0.5 to 500 mV (type IF 3)</li> <li>• digital pulse output push pull (type VHEK.HM)</li> <li>• 4 to 20 mA (type WI.02))</li> </ul> <p>Separate datasheets are available.</p>

Dimensional Drawing (mm)



Type	A	B	C	G	GL	L	Ermeto-Adapter
HM 007/U*	50	46	45	G1/4"	19	117	GE 12-PSR 1/4-ED
HM 011/U*	50	46	49	G1/2"	24	144	GE 16-PSR-ED/71
HM 022/U*	65	60	64	G1 1/4"	34	155	GE 30-PSR-ED/71
HM 030/U*	65	60	64	G1 1/2"	35	181	GE 38-PSR-ED/71

1) Optionally M14x1.5 for specific sensors.

## Contact worldwide

### KEM-Headquarter

Liebigstraße 2  
D-85757 Karlsfeld  
T. +49 8131 5 93 91 - 0  
F: +49 8131 9 26 04  
info@kem-kueppers.com

### KEM-Office West

Im Langen Hahn 44  
D-58515 Lüdenscheid  
T. +49 2351 9 78 80  
F: +49 2351 9 78 83 1  
kem-west@kem-kueppers.com

### KEM-Office South

Dahlienweg 35  
D-73765 Neuhausen  
T. +49 7158 98 56 82  
F: +49 7158 98 56 83  
kem-sued@kem-kueppers.com

### Denmark

E. Eberhardt ApS  
Bygstubben 6  
DK-2950 Vedbæk  
T. +45/45/89 33 66  
info@eeberhardt.dk

### Norway

Flow Teknikk as  
Olav Brunborgsv. 27, Postboks 244  
N-1377 Billingstad  
T. +47/66/77 54 00  
mail@flow.no

### Singapore

Polyquip Engineering Pte Ltd  
Blk 20 Woodlands Link #08-12  
Woodlands East Industrial Est.  
SGP- 738733 Singapur  
T. +65/6753/79 97  
sales@polyquip.com.sg

### China

KEM China  
Mr. Xiao Tianxiang  
Rm.2429, JinYuan Office Building, No. 36,  
CN- BeiYuan Road, Beijing 100012  
T. +86/10/52 00 37 38  
Shaw@kem-kueppers.com

### Poland

Newtech Engineering  
ul. Sowinskiego 3  
PL-4-100 Gliwice  
T. +48/32/237 61 98  
newtech@newtech.com.pl

### Slovakia

Bibus SK, s.r.o.  
Priemysel'na 4  
SK-949-01 Nitra  
T. +421/377/41 25 25  
gyenes@bibus.sk

### Finland

Wexon Oy  
Juhanilantie 4  
FI-01740 Vantaa  
T. +358/9/29 04 40  
wexon@wexon.com

### Portugal

Contimetra Departamento Indústria  
R. Braamcamp 88-40 Dt0  
P-1269-020 Lisboa  
T. +351/213/86 05 00  
contimetra@contimetra.com

### Spain

Ortrat S.L.  
Calle La Sofora 13 + 15  
ES-28020 Madrid  
T. +349/1/57 91 60 6  
ortrat@ortrat.es

### United Kingdom & Eire

KEM Küppers UK  
2 Highfield Drive  
Ickenham Uxbridge  
UB10 8AL England  
T. +44/1895/23 35 52  
hans.rader@kueppers.co.uk

### Russia

Michael Dueck  
Industrievertretungen und Vertrieb  
St.-Vither-Str. 12  
D-50171 Kerpen  
T. +49/2237/67 91 88  
info@m-dueck.de

### Taiwan

Yuden Electric Co.,Ltd  
Taiwan Headquarter  
5F, No.121, Li De ST, JHONGHE TAIPEI  
COUNTY 235, Taiwan ROC  
T. +886/2/82 21 29 58  
sales@yuden.com.tw

### Hong Kong Area

Asia Technology and Instrument Ltd.  
Unit 5, 9/F., Free Trade Centre  
49 Tsun Yip Street, Kwun Tong  
HK-Kowloon  
T. +85/227/16 55 56  
ati@ati.com.hk

### Sweden

Pentronic AB  
SE-590 93 Gunnebobruk  
T. +46/490/25 85 00  
info@pentronic.se

### United States of America

AW-LAKE Company  
Electronics for Instrumentation  
8809 Industrial Dr.  
Franksville, WI 53126, USA  
T. +1/262/88 49 80 0  
sales@aw-lake.com

### Italy

Ingg. Vigo e Cova SAS  
Piazzale Segrino 6/a  
I-20159 Milano  
T. +39/02/668 82 02  
vigo.cova@vigocova.com

[www.kem-kueppers.com](http://www.kem-kueppers.com)  
[info@kem-kueppers.com](mailto:info@kem-kueppers.com)