

Certified according to DIN EN ISO 9001

## Technical Datasheet



# HM...R

## Turbine Flow Meters with Female Inch Threads

## Description

Turbine flow meters provide accurate measurement of instantaneous or total flow rates of low-viscosity-fluids

### Application:

- Tap and demineralised water
- Fuels
- Liquefied gases
- Pharmaceutical fluids
- Light fuel oil
- Solvents

## Advantages

### Fast response time and high resolution

The response time ranges from 5 up to 50 msec subject to turbine size. Thus rapidly increasing or varying flow rates may be detected. The resolution may amount to as much as approx. 139,000 pulses per litre (cf. »Technical Data«).

### Wide temperature range from –276 up to +350 °C

Standard versions: –20 up to +120 °C

Versions with special bearings for cryogenic fluids: down to –276 °C

Versions with special pickups for heated fluids: up to +350 °C

### Resistant to contamination with solids

Turbine wheel and bearings are designed in a way that solids are flushed through the turbine with the medium. Therefore the turbine does not get blocked.

## Technical Data

Type	Measuring Range, ltr./min	K-Factor*, pulses/ltr.	Frequency*, in Hz
HM 9 RP	00.3 up to 0.8	139,000	1,900
HM 3/1.5 R	0.3 up to 1.5	32,000 32,500	1,000
HM 3/4 R	0.5 up to 4	24,000 19,500	1,250
HM 5/6 R	0.8 up to 6	17,800 17,800	1,740
HM 5/10 R	1.2 up to 10	11,000 11,000	1,750
HM 7 R	2.0 up to 20	5,200 5,200	1,800
HM 9 R	3.3 up to 33	1,900 4,200	1,080 2,200
HM 11 R	6.0 up to 60	1,300 2,730	1,350 2,700
HM 13 R	8.5 up to 85	900 1,900	1,300 2,600
HM 19 R	15 up to 150	310 650	925 2,000
HM 28 R	30 up to 360	155 320	960 2,000
HM 30 R	35 up to 400	130 270	860 1,800

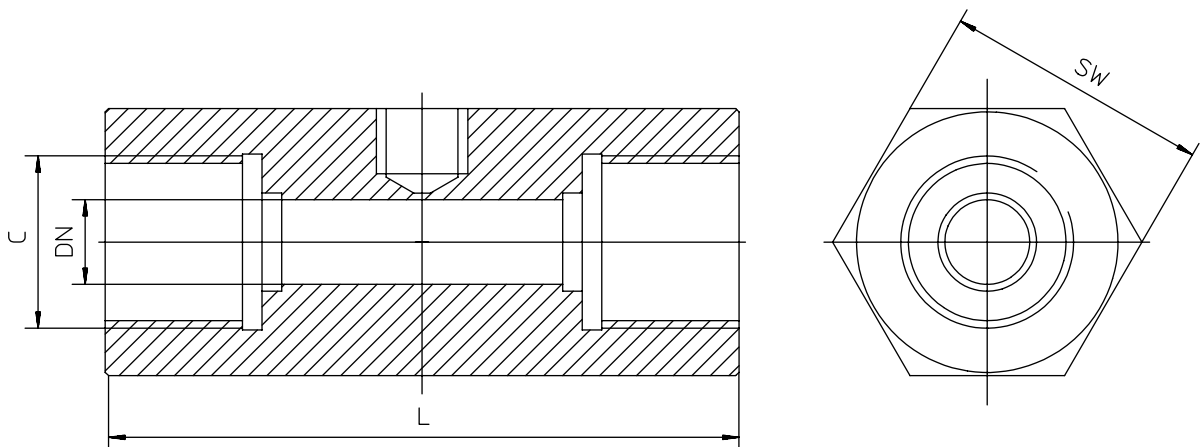
\* For viscosities from 8 mm<sup>2</sup>/s onwards the wheel's axial pitch will be halved, thus K-factors will be higher. The specifications for K-factor and output signal are average values. Individual values are recorded during calibration.

**Materials**

Stainless steel as per DIN (AISI)

Component	Standard material	Special material
Housing	1.4305	1.4571 (316 Ti) or 1.4404 (316 L)
Internal parts	1.4305 (303)	1.4571 (316 Ti) or 1.4404 (316 L)
Wheel	1.4122 (303)	1.4460 (329)
Bearing	Tungsten carbide	Tungsten carbide or teflon

**Dimensional Drawings (mm)**



Typ	DN (dia)	L	C	SW	Pressure, bar
HM 3/1.5 R	4	60	G 1/4"	30	630
HM 3/4 R	4	60	G 1/4"	30	630
HM 5 R	5	70	G 3/8"	30	630
HM 7 R	7	74	G 3/8"	30	630
HM 9 R & RP	9	79	G 3/8"	30	630
HM 11 R	11	86	G 3/8"	30	400
HM 13 R	13	97	G 3/4"	41	400
HM 19 R	19	125	G 1/4"	46	400
HM 28 R	28	161	G 1 1/2"	60	315
HM 30 R	30	181	G 1 1/2"	60	315

## Contact worldwide

### KEM-Headquarter

Liebigstraße 2  
D-85757 Karlsfeld  
T. +49 8131 5 93 91 - 0  
F: +49 8131 9 26 04  
info@kem-kueppers.com

### KEM-Office West

Im Langen Hahn 44  
D-58515 Lüdenscheid  
T. +49 2351 9 78 80  
F: +49 2351 9 78 83 1  
kem-west@kem-kueppers.com

### KEM-Office South

Dahlienweg 35  
D-73765 Neuhausen  
T. +49 7158 98 56 82  
F: +49 7158 98 56 83  
kem-sued@kem-kueppers.com

### Denmark

E. Eberhardt ApS  
Bygstubben 6  
DK-2950 Vedbæk  
T. +45/45/89 33 66  
info@eeberhardt.dk

### Norway

Flow Teknikk as  
Olav Brunborgsv. 27, Postboks 244  
N-1377 Billingstad  
T. +47/66/77 54 00  
mail@flow.no

### Singapore

Polyquip Engineering Pte Ltd  
Blk 20 Woodlands Link #08-12  
Woodlands East Industrial Est.  
SGP- 738733 Singapur  
T. +65/6753/79 97  
sales@polyquip.com.sg

### China

KEM China  
Mr. Xiao Tianxiang  
Rm.2429, JinYuan Office Building, No. 36,  
CN- BeiYuan Road, Beijing 100012  
T. +86/10/52 00 37 38  
Shaw@kem-kueppers.com

### Poland

Newtech Engineering  
ul. Sowinskiego 3  
PL-4-100 Gliwice  
T. +48/32/237 61 98  
newtech@newtech.com.pl

### Slovakia

Bibus SK, s.r.o.  
Priemysel'na 4  
SK-949-01 Nitra  
T. +421/377/41 25 25  
gyenes@bibus.sk

### Finland

Wexon Oy  
Juhanilantie 4  
FI-01740 Vantaa  
T. +358/9/29 04 40  
wexon@wexon.com

### Portugal

Contimetra Departamento Indústria  
R. Braamcamp 88-40 Dt0  
P-1269-020 Lisboa  
T. +351/213/86 05 00  
contimetra@contimetra.com

### Spain

Ortrat S.L.  
Calle La Sofora 13 + 15  
ES-28020 Madrid  
T. +349/1/57 91 60 6  
ortrat@ortrat.es

### United Kingdom & Eire

KEM Küppers UK  
2 Highfield Drive  
Ickenham Uxbridge  
UB10 8AL England  
T. +44/1895/23 35 52  
hans.rader@kueppers.co.uk

### Russia

Michael Dueck  
Industrievertretungen und Vertrieb  
St.-Vither-Str. 12  
D-50171 Kerpen  
T. +49/2237/67 91 88  
info@m-dueck.de

### Taiwan

Yuden Electric Co.,Ltd  
Taiwan Headquarter  
5F, No.121, Li De ST, JHONGHE TAIPEI  
COUNTY 235, Taiwan ROC  
T. +886/2/82 21 29 58  
sales@yuden.com.tw

### Hong Kong Area

Asia Technology and Instrument Ltd.  
Unit 5, 9/F., Free Trade Centre  
49 Tsun Yip Street, Kwun Tong  
HK-Kowloon  
T. +85/227/16 55 56  
ati@ati.com.hk

### Sweden

Pentronic AB  
SE-590 93 Gunnebobruk  
T. +46/490/25 85 00  
info@pentronic.se

### United States of America

AW-LAKE Company  
Electronics for Instrumentation  
8809 Industrial Dr.  
Franksville, WI 53126, USA  
T. +1/262/88 49 80 0  
sales@aw-lake.com

### Italy

Ingg. Vigo e Cova SAS  
Piazzale Segrino 6/a  
I-20159 Milano  
T. +39/02/668 82 02  
vigo.cova@vigocova.com

[www.kem-kueppers.com](http://www.kem-kueppers.com)  
[info@kem-kueppers.com](mailto:info@kem-kueppers.com)