

Certified according to DIN EN ISO 9001

Technical Datasheet



HMP

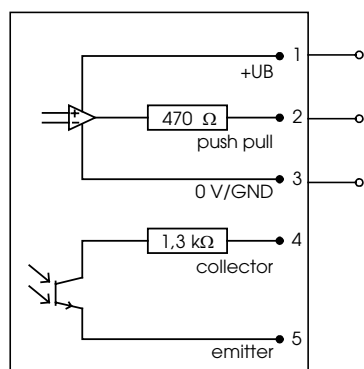
Turbine Flow Meters for Monitoring of Temperature Control Circuits

Technical Data

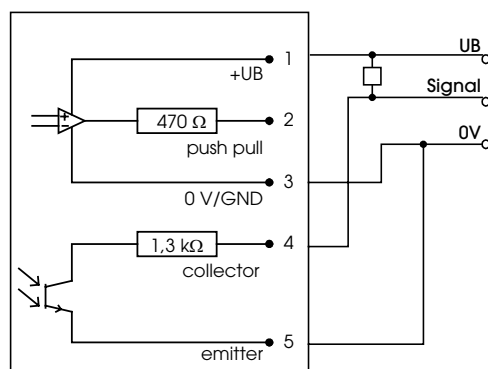
Type	Meas.range, l/min	K-Factor, pulses/l	Frequency Range, Hz
HMP 06	1.0 up to 10	2,000	35 up to 350
HMP 09	3.0 up to 30	980	50 up to 550
HMP 12	8.5 up to 85	650	90 up to 1,000
HMP 17	15 up to 150	309	70 up to 770
HMP 25	28 up to 280	127	60 up to 680

General	
Linearity	± 2,5% of actual flow
Repeatability	± 0,5%
Temperature	up to +120°C with IWA local f/i-converter up to +180°C with VIEL/P-HT inductive pulse amplifier up to +350°C with IF 3 HTK inductive pulse amplifier
Pressure	max. 20 bar
Materials	Housing: stainless steel 1.4305 (SS303) Internal parts: stainless steel 1.4305 (SS303) Wheel: stainless steel 1.4122 (SS303) Bearings: ceramic Seal: viton or graphite
Electrical Data	
Output	IWA: 4–20 mA (see separate datasheet) VIEL/P-HT: push pull or open collector (see below) IF 3 HTK: voltage U _{ss} 0.5 up to 500 mV

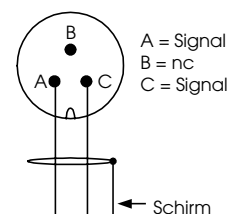
VIEL/P-HT Push Pull Output



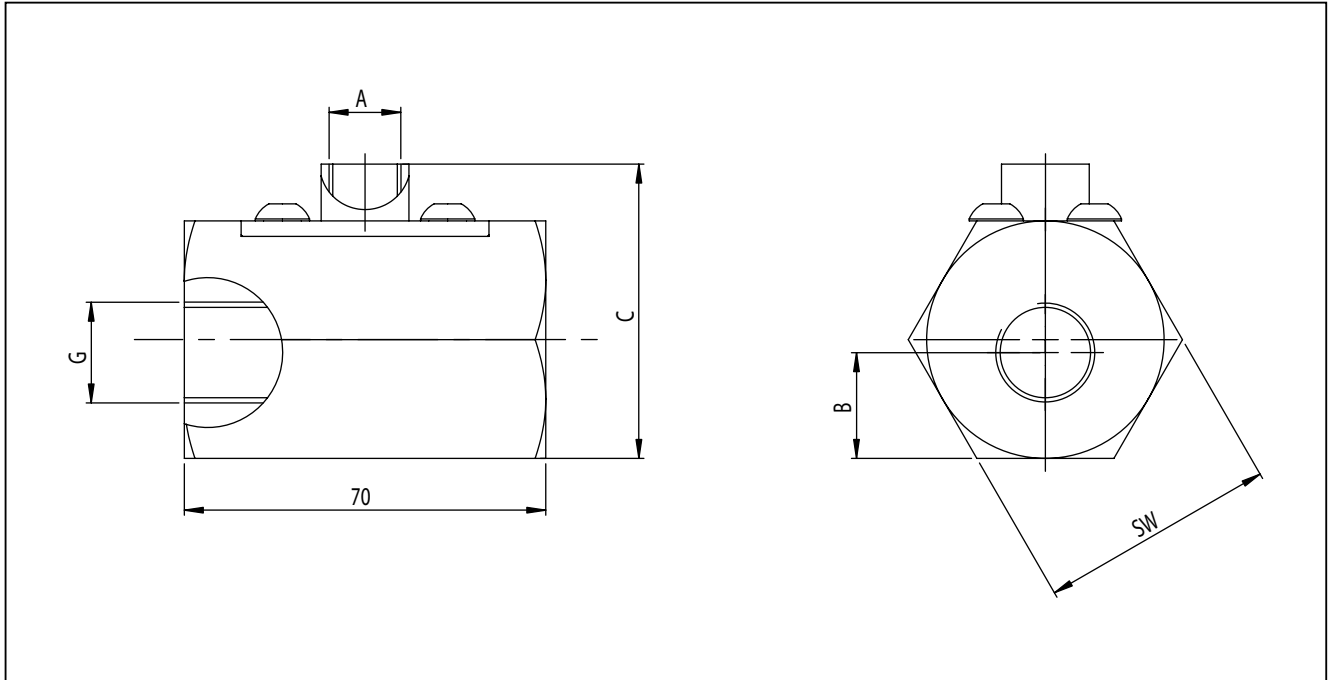
VIEL/P-HT Open Collector Output



IF 3 HTK



Dimensional Drawing (mm)



Type	A	B	C	G	SW
HMP 06	M14x1,5	21	57	G1/2"	46
HMP 09	M14x1,5 / M10x0,75	21	57	G1/2"	46
HMP 12	M14x1,5 / M10x0,75	21	57	G1/2" / G3/4"	46
HMP 17	M14x1,5 / M10x0,75	21	61	G1"	50
HMP 25	M14x1,5 / M10x0,75	24	66	G1"	55

Contact

KEM Headquarter

Liebigstraße 5
85757 Karlsfeld
Germany

T. +49/8131/ 59 39 1-0
F. +49/8131/ 92 60 4

info@kem-kueppers.com

KEM Service & Repairs

Wetzeller Straße 22
93444 Bad Kötzting
Germany

T. +49/9941/ 94 23 0
F. +49/9941/ 94 23 23

info@kem-kueppers.com

*More distributors & partners can be found at:
www.kem-kueppers.com*

Your local partner:



www.kem-kueppers.com
info@kem-kueppers.com