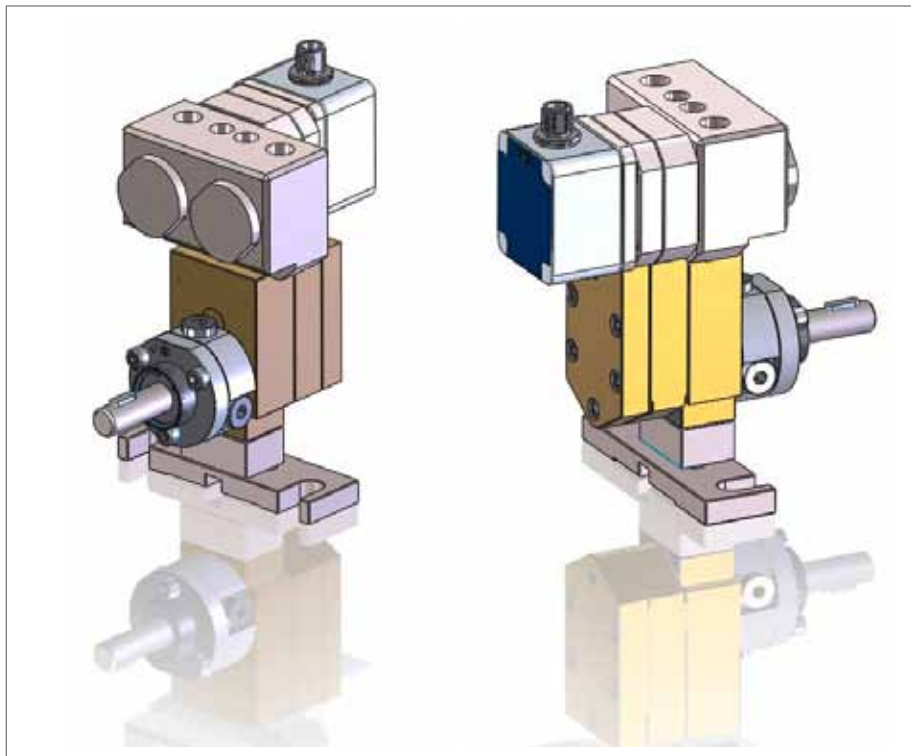


Certified according to DIN EN ISO 9001

Technical Datasheet



Dispense Control Device



Küppers Elektromechanik GmbH

www.kem-kueppers.com



www.pomtava.com



Description	3
Technical Data	4
Design	5
Dimensional Drawings	6

Index

Index

Description

The DISPENSE CONTROL DEVICE (DCD) was developed in cooperation between KEM and the Swiss pump manufacturer POMPTAVA. The DCD contains a gear pump for dosing applications together with an integrated gear flow meter. The flow meter measures the total flow independently for automatic flow control.

The DCD is perfectly suited for systems with automatic, intelligent control. The independent control of the flow guarantees a safe operation of the production system.

The compact construction and the tight tolerances guarantee a high accuracy and reliability. The operating flow range of the DCD is 0.005 to 2 l/min with an accuracy of 0.5% of flow. DISPENSE CONTROL DEVICES for higher flow rates are available upon request.

Applications

fully automated systems

Dispense Control of

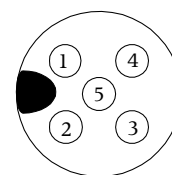
- PU components
- Hardeners
- Paints
- Silicon
- Epoxy resins
- Adhesives

Features

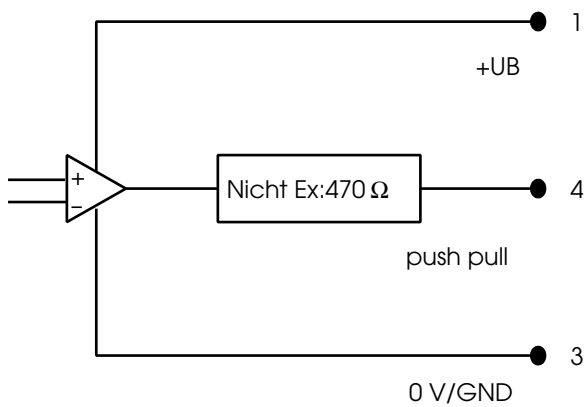
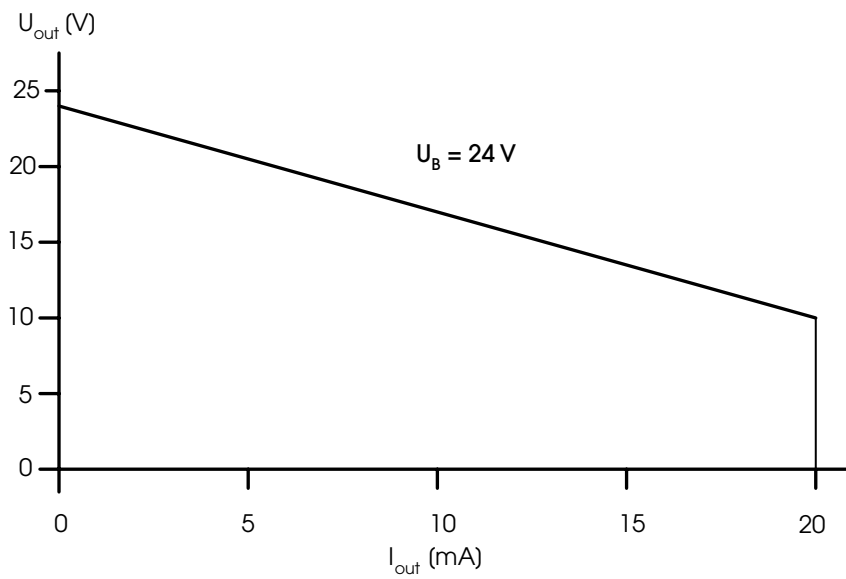
- Optimum flow
- Flushable
- High accuracy
- Low pressure drop
- Compact design
- Ex certified version available

Technical Data

Specifications Metering Gear Pump	
Dispensing range:	0.005 up to 2 ltr/min
Viscosity range:	1 up to 10 ⁶ mPas
Sealing:	lip seal and liquid barrier
Rotation speed:	from 10min ⁻¹ to 200min ⁻¹ , depending on the product involved
Standard rotation:	clockwise (A)/counter clockwise (Z) or AZ
Allowable output pressure:	max. 100 bar
Input/Output:	2 bores Ø 6 mm on the pump body delivered with connecting block G1/4"
Driving shaft diameter:	Ø 12 mm with a 4 mm key, H = 40 mm or 51 mm
Weight:	approx. 2 up to 5 kg
Specifications Flow Meter	
Dispensing range:	0.005 up to 2 ltr/min
Accuracy:	±0.7% of actual flow
Repeatability:	0.1%
Pulse rate:	approx. 26,500 pulses/ltr
Operating pressure:	max. 100 bar
<i>Electrical Data:</i>	
Supply voltage U _B :	+9 up to 29 VDC, regulated (incl. reverse-battery protection)
Quiescent current:	< 5 mA
Frequency range:	2 up to 4,000 Hz
Ambient temperature:	-40 up to +50 °C
Electrical connection:	5-pin flange plug M12 1 = +UB 2 = nc 3 = 0 V 4 = Push Pull, square wave signal 5 = nc



Circuit and output characteristics



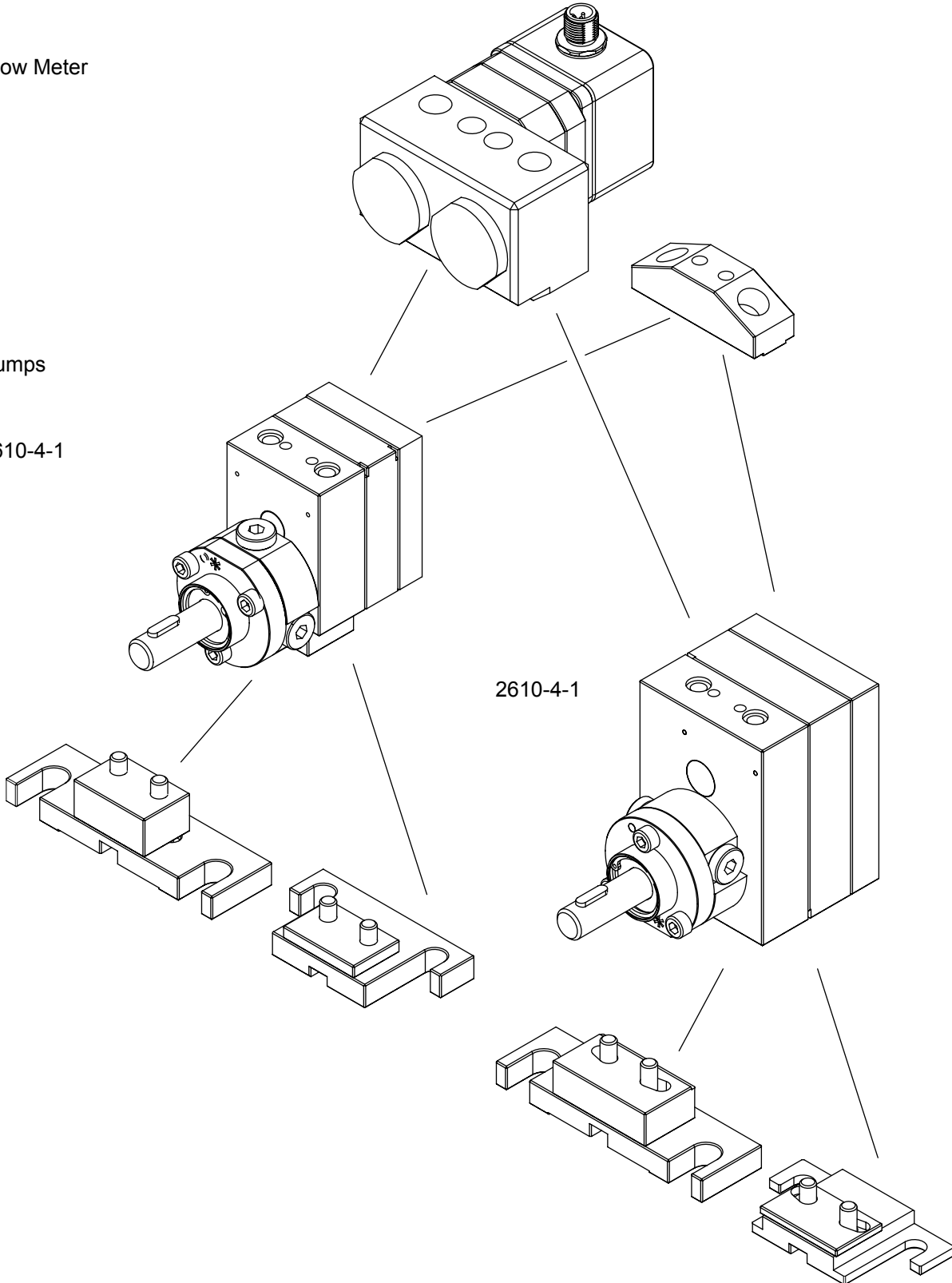
Design

Flow Meter

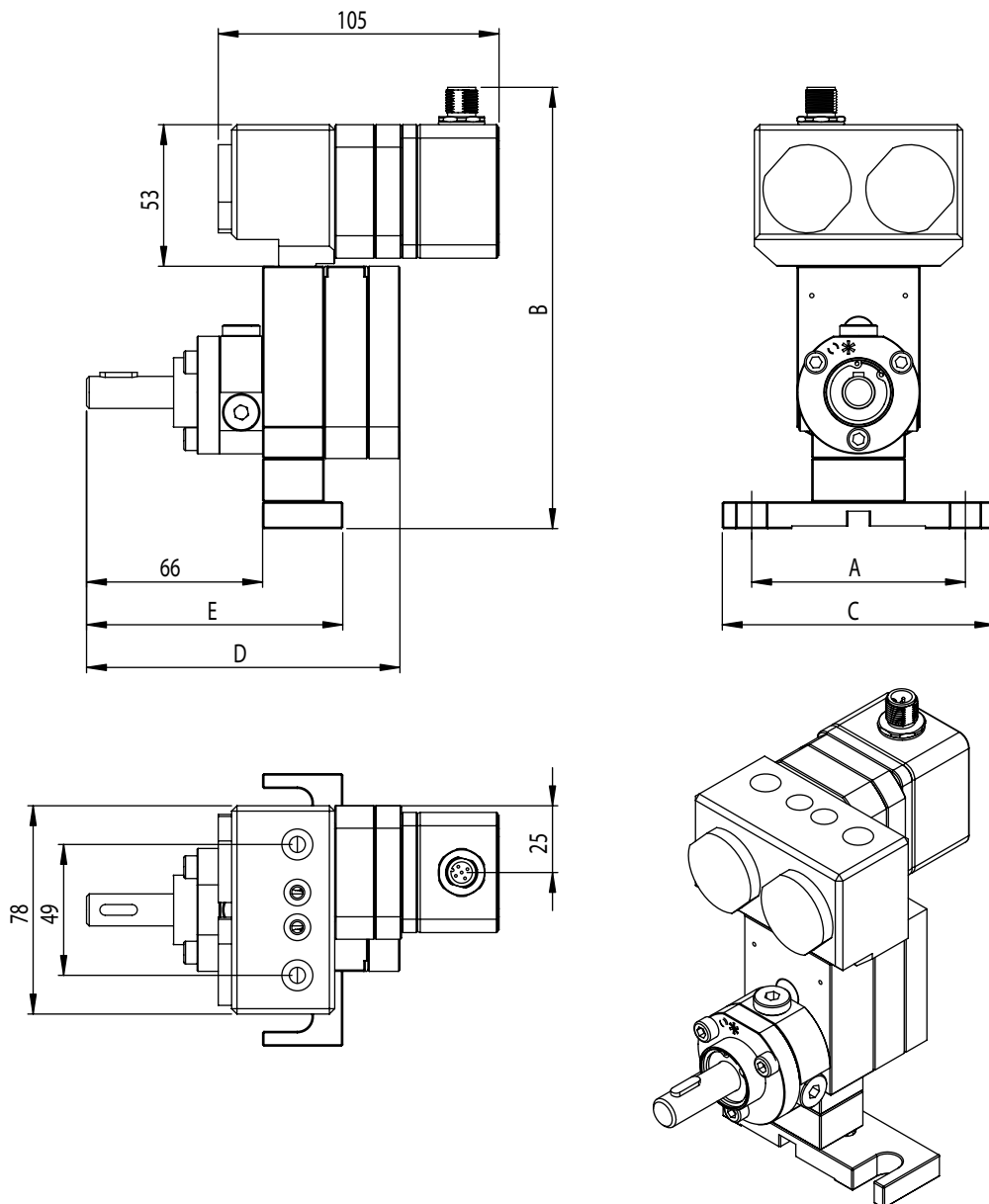
Pumps

1610-4-1

2610-4-1



Dimensional Drawings (mm)



Type	A	B	C	D	E
1610 H40	55	152	75	117	106
1610 H51	88	178	102	117	96
2610 H40	55	192	75	124	106
2610 H51	88	216	102	124	96

Contact worldwide**KEM-Headquarter**

Liebigstraße 2
D-85757 Karlsfeld
T. +49 8131 5 93 91 - 0
F: +49 8131 9 26 04
info@kem-kueppers.com

KEM-Office West

Im Langen Hahn 44
D-58515 Lüdenscheid
T. +49 2351 9 78 80
F: +49 2351 9 78 83 1
kem-west@kem-kueppers.com

KEM-Office South

Dahlienweg 35
D-73765 Neuhausen
T. +49 7158 98 56 82
F: +49 7158 98 56 83
kem-sued@kem-kueppers.com

Denmark

E. Eberhardt ApS
Bygstubben 6
DK-2950 Vedbæk
T. +45/45/89 33 66
info@eeberhardt.dk

Norway

Flow Teknikk as
Olav Brunborgsv. 27, Postboks 244
N-1377 Billingstad
T. +47/66/77 54 00
mail@flow.no

Singapore

Polyquip Engineering Pte Ltd
Blk 20 Woodlands Link #08-12
Woodlands East Industrial Est.
SGP- 738733 Singapur
T. +65/6753/79 97
sales@polyquip.com.sg

China

KEM China
Mr. Xiao Tianxiang
Rm.2429, JinYuan Office Building, No. 36,
CN- BeiYuan Road, Beijing 100012
T. +86/10/52 00 37 38
Shaw@kem-kueppers.com

Poland

Newtech Engineering
ul. Sowinskiego 3
PL-4-100 Gliwice
T. +48/32/237 61 98
newtech@newtech.com.pl

Slovakia

Bibus SK, s.r.o.
Priemysel'na 4
SK-949-01 Nitra
T. +421/377/41 25 25
gyenes@bibus.sk

Finland

Wexon Oy
Juhanilantie 4
FI-01740 Vantaa
T. +358/9/29 04 40
wexon@wexon.com

Portugal

Contimetra Departamento Indústria
R. Braamcamp 88-40 Dt0
P-1269-020 Lisboa
T. +351/213/86 05 00
contimetra@contimetra.com

Spain

Ortrat S.L.
Calle La Sofora 13 + 15
ES-28020 Madrid
T. +349/1/57 91 60 6
ortrat@ortrat.es

United Kingdom & Eire

KEM Küppers UK
2 Highfield Drive
Ickenham Uxbridge
UB10 8AL England
T. +44/1895/23 35 52
hans.rader@kueppers.co.uk

Russia

Michael Dueck
Industrievertretungen und Vertrieb
St.-Vither-Str. 12
D-50171 Kerpen
T. +49/2237/67 91 88
info@m-dueck.de

Taiwan

Yuden Electric Co.,Ltd
Taiwan Headquarter
5F, No.121, Li De ST, JHONGHE TAIPEI
COUNTY 235, Taiwan ROC
T. +886/2/82 21 29 58
sales@yuden.com.tw

Hong Kong Area

Asia Technology and Instrument Ltd.
Unit 5, 9/F., Free Trade Centre
49 Tsun Yip Street, Kwun Tong
HK-Kowloon
T. +85/227/16 55 56
ati@ati.com.hk

Sweden

Pentronic AB
SE-590 93 Gunnebobruk
T. +46/490/25 85 00
info@pentronic.se

United States of America

AW-LAKE Company
Electronics for Instrumentation
8809 Industrial Dr.
Franksville, WI 53126, USA
T. +1/262/88 49 80 0
sales@aw-lake.com

Italy

Ingg. Vigo e Cova SAS
Piazzale Segrino 6/a
I-20159 Milano
T. +39/02/668 82 02
vigo.cova@vigocova.com

www.kem-kueppers.com
info@kem-kueppers.com