

Certified according to DIN EN ISO 9001

Technical Datasheet



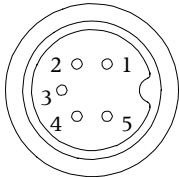
ZHM...HP

Gear Flow Meters for High-Pressure Applications

Technical Data - ZHM...HP

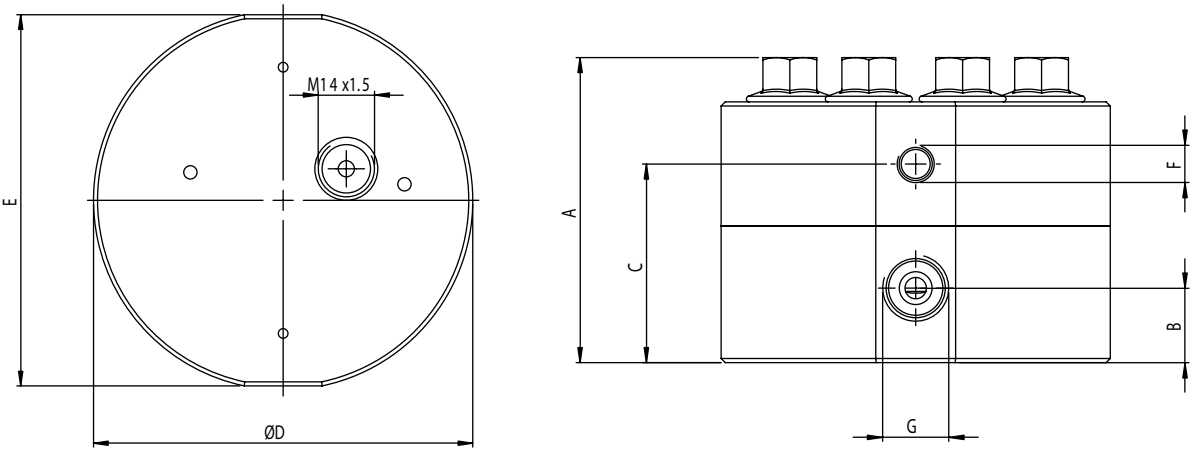
Type	Measuring range ltr./min	K-factor pulses/ltr. ¹⁾	Frequency range Hz
ZHM 01/1 HC	0.2 up to 3	26,500	1.325
ZHM 01/2 HP	0.2 up to 3	14,000	700
ZHM 02* HP	0.1 up to 7	4,200	490
ZHM 03 HP	0.5 up to 25	1,740	725
ZHM 04 HP	0.5 up to 70	475	500

1) Centre pickup for pulse doubling on request.

Linearity:	±0,5% of actual flow	
Repeatability:	±0,1%	
Operating pressure:	max. 1,000 bar	
Connections:	Autoclave 3/8" SF-375-CX	
Temperature:	up to +150 °C	
Materials:	Housing: Stainless steel DIN 1.4404 (SS 316 L) Gears: Stainless steel DIN 1.4122 (SS 303) Seal: Viton	
Electrical Connection (VTEK/P Ex)		
Output:	Push Pull	
Voltage level:	NPN/open collector passive $U_{High} > U - (I_{out} \text{ (mA)} \times 1300 \Omega)$ $U_{Low} < 0,6 \text{ V} + (I_{out} \text{ (mA)} \times 1300 \Omega)$ $U_{max} = 30 \text{ V}$	
Pin connections (colour KEM-cable):	1 = UB +8,5 up to 29 VDC (grey) 2 = Signal Push Pull (green) 3 = 0 V (brown) 4 = OC Collector (white) 5 = OC Emitter (yellow)	

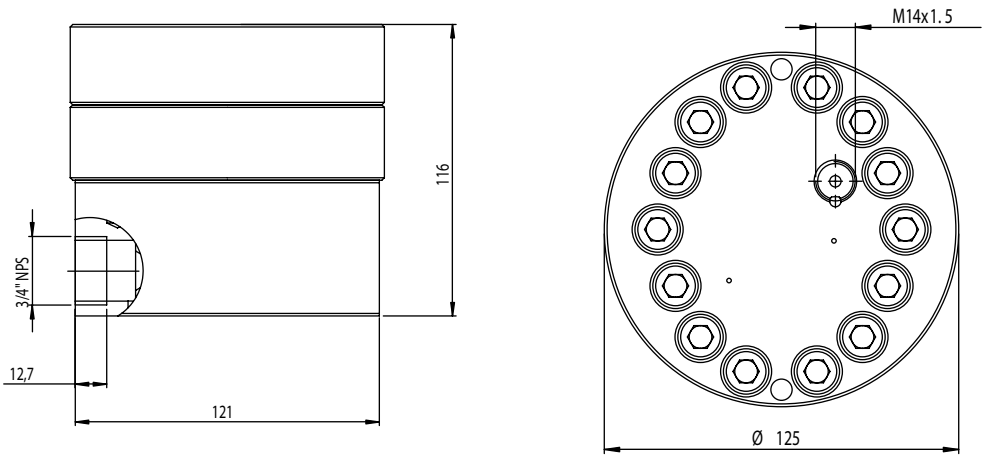
Dimensional Drawing (mm)

ZHM 01/1...03 HP:



Type	A	B	C	D	E	F	G	Connections
ZHM01/1-HC	74	18	48	94	92	M8	9/16" UNF	SF375CX20
ZHM01/2-HP	74	18	48	94	92	M8	9/16" UNF	SF375CX20
ZHM02-HP	74	18	48	94	92	-	9/16" UNF	SF375CX20
ZHM03-HP	86	18	60	94	92	-	9/16" UNF	SF375CX20

ZHM 04 HP:



Contact worldwide

KEM-Headquarter

Liebigstraße 2
D-85757 Karlsfeld
T. +49 8131 5 93 91 - 0
F: +49 8131 9 26 04
info@kem-kueppers.com

KEM-Office West

Im Langen Hahn 44
D-58515 Lüdenscheid
T. +49 2351 9 78 80
F: +49 2351 9 78 83 1
kem-west@kem-kueppers.com

KEM-Office South

Dahlienweg 35
D-73765 Neuhausen
T. +49 7158 98 56 82
F: +49 7158 98 56 83
kem-sued@kem-kueppers.com

Denmark

E. Eberhardt ApS
Bygstubben 6
DK-2950 Vedbæk
T. +45/45/89 33 66
info@eeberhardt.dk

Norway

Flow Teknikk as
Olav Brunborgsv. 27, Postboks 244
N-1377 Billingstad
T. +47/66/77 54 00
mail@flow.no

Singapore

Polyquip Engineering Pte Ltd
Blk 20 Woodlands Link #08-12
Woodlands East Industrial Est.
SGP- 738733 Singapur
T. +65/6753/79 97
sales@polyquip.com.sg

China

KEM China
Mr. Xiao Tianxiang
Rm.2429, JinYuan Office Building, No. 36,
CN- BeiYuan Road, Beijing 100012
T. +86/10/52 00 37 38
Shaw@kem-kueppers.com

Poland

Newtech Engineering
ul. Sowinskiego 3
PL-4-100 Gliwice
T. +48/32/237 61 98
newtech@newtech.com.pl

Slovakia

Bibus SK, s.r.o.
Priemysel'na 4
SK-949-01 Nitra
T. +421/377/41 25 25
gyenes@bibus.sk

Finland

Wexon Oy
Juhanilantie 4
FI-01740 Vantaa
T. +358/9/29 04 40
wexon@wexon.com

Portugal

Contimetra Departamento Indústria
R. Braamcamp 88-40 Dt0
P-1269-020 Lisboa
T. +351/213/86 05 00
contimetra@contimetra.com

Spain

Ortrat S.L.
Calle La Sofora 13 + 15
ES-28020 Madrid
T. +349/1/57 91 60 6
ortrat@ortrat.es

United Kingdom & Eire

KEM Küppers UK
2 Highfield Drive
Ickenham Uxbridge
UB10 8AL England
T. +44/1895/23 35 52
hans.rader@kueppers.co.uk

Russia

Michael Dueck
Industrievertretungen und Vertrieb
St.-Vither-Str. 12
D-50171 Kerpen
T. +49/2237/67 91 88
info@m-dueck.de

Taiwan

Yuden Electric Co.,Ltd
Taiwan Headquarter
5F, No.121, Li De ST, JHONGHE TAIPEI
COUNTY 235, Taiwan ROC
T. +886/2/82 21 29 58
sales@yuden.com.tw

Hong Kong Area

Asia Technology and Instrument Ltd.
Unit 5, 9/F., Free Trade Centre
49 Tsun Yip Street, Kwun Tong
HK-Kowloon
T. +85/227/16 55 56
ati@ati.com.hk

Sweden

Pentronic AB
SE-590 93 Gunnebobruk
T. +46/490/25 85 00
info@pentronic.se

United States of America

AW-LAKE Company
Electronics for Instrumentation
8809 Industrial Dr.
Franksville, WI 53126, USA
T. +1/262/88 49 80 0
sales@aw-lake.com

Italy

Ingg. Vigo e Cova SAS
Piazzale Segrino 6/a
I-20159 Milano
T. +39/02/668 82 02
vigo.cova@vigocova.com

www.kem-kueppers.com
info@kem-kueppers.com