

Technical Datasheet



FOP 70 and OPTV

Fibreoptical Amplifier and Light Pulse Receiver

Fiber Optic Amplifier and Receiver – FOP 70 and OPTV

Application

The FOP is a fibre-optic amplifier for KEM gear flow meters used in high-voltage applications. Its integral pickup detects the r.p.m. of the gears and the FOP provides a flow-proportional light pulse signal. The OPTV receiver will convert the light pulses into a current or voltage squarewave signal which may be used for evaluation.

Applications

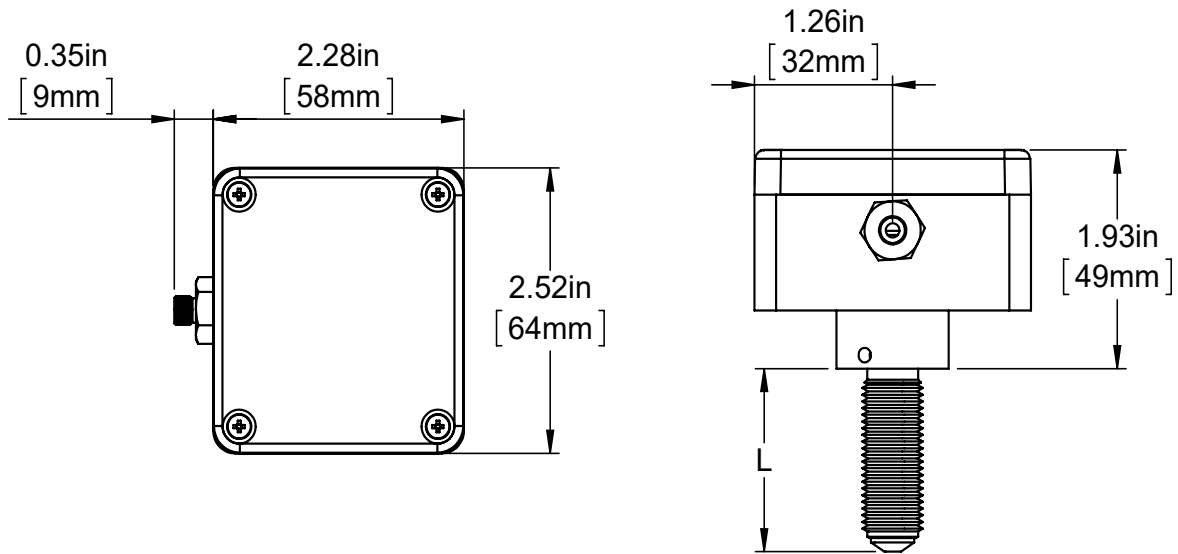
- Interference-free Pulse Detection
- No Electrical Connection to OPTV Receiver
- Light Weight and Handy Design

Technical Data FOP 70

FOP Fibre-Optic Amplifier	
Power Supply	Lithium battery (exclusively use original batteries)
Battery Lifetime	15 month
Ambient Temperature	-40 °C up to +70 °C [-40 °F up to +158 °F]
Frequency Range	3 up to 1,000 Hz
Weight	Max. 350 g
Ingress Protection	IP65
Ex-Protection, intrinsically safe	ATEX: II 2G Ex ia IIC T4 Gb IECEX: Ex ia IIC T4 Gb
Housing	Painted aluminum (for dimensions please see drawings)

LW cable LABS-free, incl. pre-assembled plugs	
Type	HITRONIC POF
Cable Ø	5.5 mm
Plug Ø	< 8.5 mm
Bending Radius	Permanently installed: 55 mm, temporarily: 30 mm
Tensile Strength	Permanently installed: 100 N, temporarily: 600 N
Ambient Temperature	-20 °C up to +70 °C [-68 °F up to +158 °F]
Protection Class	IP65
Cable Length	Max. 10 m
Wire Tip Material	1.4305 [AISI 303]

Dimensional Drawing – FOP 70

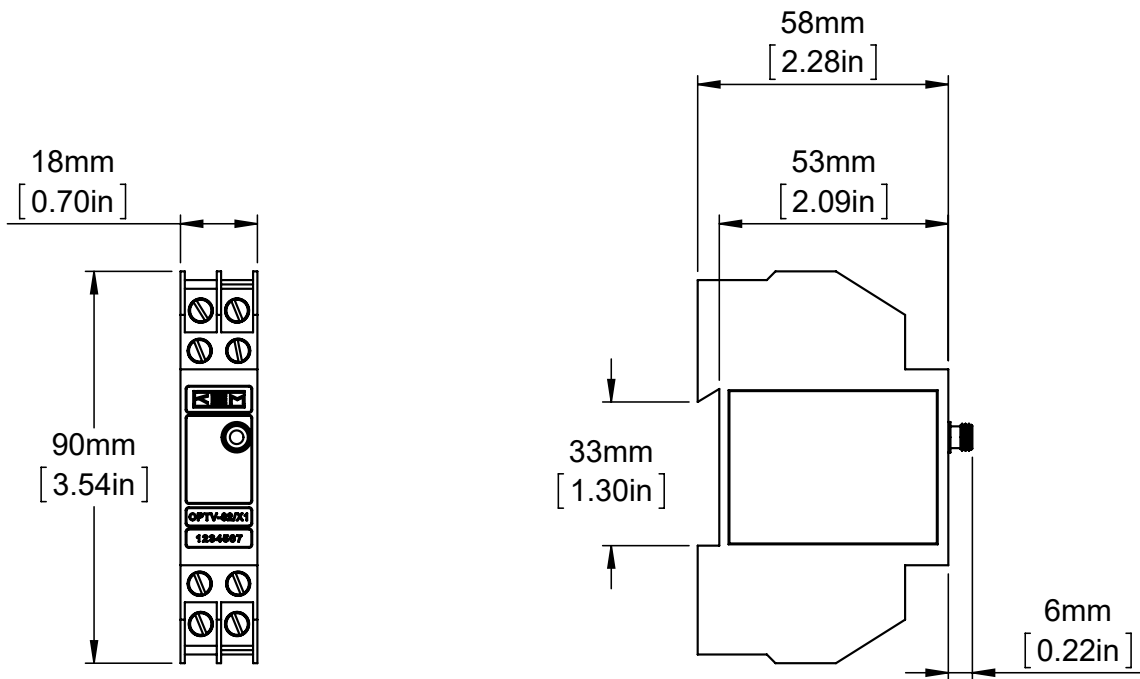


Sensor Type	L
KG oder RG	42 mm [1,65 in]
LG oder SG	76 mm [2,99 in]

Technical Data – OPTV

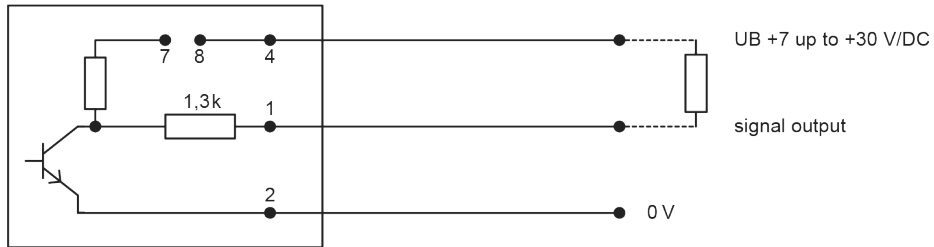
OPTV-02/X0 Light Pulse Receiver and Converter	
Ambient Temperature	-20 °C up to +60 °C [-4 °F up to +140 °F]
Supply Voltage	U_B : 7 up to 30 V
Quiescent Current	$I_R < 1.1$ mA
Output	Frequency output, constant pulsetime 500 µsec
Electrical Data, Alternatively	<p>Voltage outputs (3-wire connection)</p> <p>a. Active output High level: $U_{high} > U_B - 0.6 \text{ V} - [2.5 \text{ k}\Omega \times I_{out} \text{ (mA)}]$ Low level: $U_{low} < 0.6 \text{ V} + [1.3 \text{ k}\Omega \times I_{out} \text{ (mA)}]$</p> <p>b. Passive output High level: $U_{high} > U - [I_{out} \text{ (mA)} \times 1.3 \text{ k}\Omega]$ Low level: $U_{low} < 0.6 \text{ V} + [1.3 \text{ k}\Omega \times I_{out} \text{ (mA)}]$ U is the voltage applied at the output, max. 30 V</p> <p>Current output (2-wire connection)</p> <p>a. For $U_B < 9$ V (NAMUR supply units) High level: $I_{high} > 2.2$ mA Low level: $I_{low} < 1.1$ mA</p> <p>b. For U_B 7 up to 30 V High level: $I_{high} = [(U_B - 0.6 \text{ V})/1.3 \text{ k}\Omega] + I_{low}$ Low level: $I_{low} = (U_B - 4 \text{ V})/7.5 \text{ k}\Omega$</p>
Frequency Range	3 up to 1,500 Hz according to flow meter
Electrical Connection	Two off 4-pin screw terminals for supply and output signals (see wiring schemes)
Ex Protection ATEX	II 2G EEx ia IIC T6
Housing	Grey-colored polycarbonate for DIN hat top rail mounting

Dimensional Drawing – OPTV

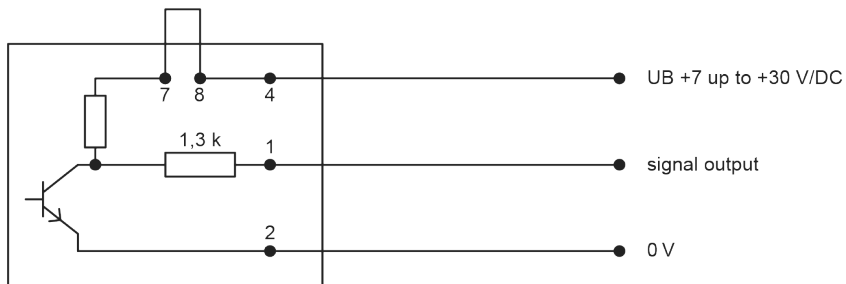


Electrical Connection OPTV

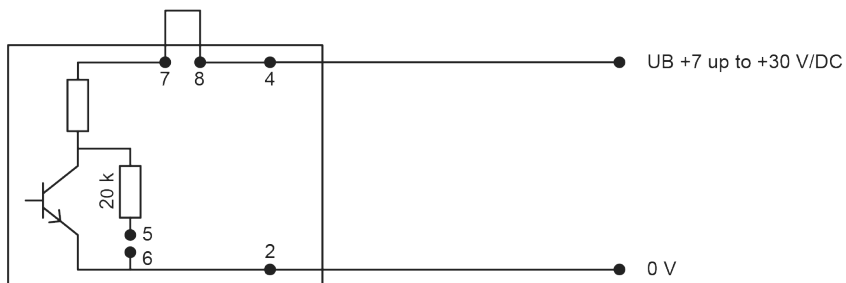
3-wire passive



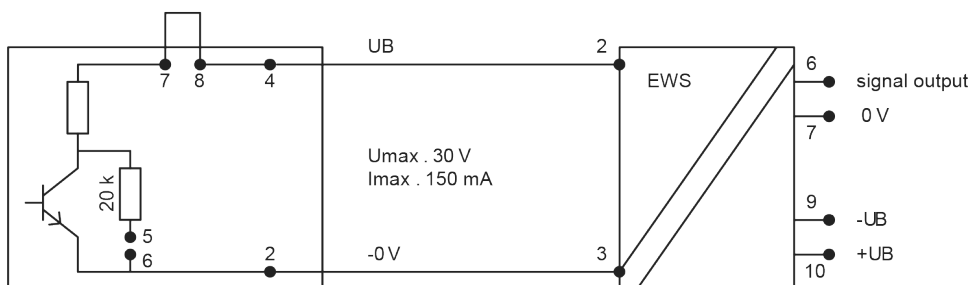
3-wire active



2-wire



2-wire with KEM separation amplifier type EWS



Ordering Code

	FOP70	-	X	X	-	X	X	X	-	X	X
Pickup Form			X	X							
Thread Pickup			X	X							
Thread Pickup											
short for HM, ZHM 02 to ZHM 04						K	G				
long for HM, ZHM 02 to ZHM 07						L	G				
Short with step for ZHM 01 (01/1; 01/2; 01/3), SRZ, LFM						R	G				
Long with step for ZHM 01 (01/1; 01/2; 01/3), SRZ						S	G				
Ex Protection											
No certification											
ATEX (II 2G Ex ia IIC T4 Gb), IECEX (Ex ia IIC T4 Gb)									Ex		
Optionen											
Custom specific options											01 - 99

Marking

FOP 70:

KEM Küppers Elektromechanik GmbH

CE 0123 Ex II 2G Ex ia IIC T4 Gb

ATEX: BVS 17 ATEX E 041

Ex ia IIC T4 Gb

IECEX: IECEX BVS 17.0037

FOP 70 **-**-** Ser.Nr. 123456789

-40 °C [-40 °F] ≤ Ta ≤ +70 °C [+158 °F]

WARNING: Replace battery only with battery type BG.BATT-FOP-07 specified by KEM for this purpose.

OPTV:

KEM Küppers Elektromechanik GmbH

CE 0123 Ex II 2G EEx ia IIC T6

DMT 03 ATEX E 089X

OPTV-02 Ser.Nr. 123456789

-20 °C [-4 °F] ≤ Ta ≤ +60 °C [+140 °F]

U_i = 30 V; I_i = 185 mA

C_i = 30 nF; L_i = 265 µH

The test sticker indicates year of building and person in charge of test.

Safety Instructions

The following has to be adhered to:

- a. Installation instructions for electrical devices,
- b. Installation instructions for associated intrinsically-safe devices,
- c. The »Special conditions for safe use« as per EC-Type Examination Certificate
- d. The devices have to be installed in a way that the max. ambient temperature does under no circumstances exceed the mentioned maxima (consider self heating).
- e. With cables care should be taken, that the max. inductivity and capacity of the respective voltage or gas group are not exceeded.
- f. Exceeding or falling below the regular measuring range will cause invalid frequency output signals.
- g. Shielded cables are to be used as connecting lines.
- h. Generally, supplied units have to be connected by an expert according to EMC stipulations.
- i. Terminals 5 - 6 and 7 - 8 must not be connected with an other device.

Battery replacement

Only the original KEM battery pack BG.BATT-FOP-07 may be used. Otherwise the ex-approvals will be extinguished.

- a. Remove the empty battery
- b. Insert the new battery into the battery holder
- c. Insert the polarity-proof plug on the circuit board
- d. Dispose of empty battery properly



KEM Headquarters

Liebigstraße 5
85757 Karlsfeld
Germany

T. +49 8131 59391-0
F. +49 8131 92604
info@kem-kueppers.com

KEM Manufacturing Center

Wetzeller Straße 22
93444 Bad Kötzing
Germany

T. +49 9941 9423-0
F. +49 9941 9423-23
production@kem-kueppers.com

KEM Sales

Liebigstraße 5
85757 Karlsfeld
Germany

T. +49 8131 59391-100
F. +49 8131 92604
sales@kem-kueppers.com

KEM Service & Repairs

Wetzeller Straße 22
93444 Bad Kötzing
Germany

T. +49 9941 9423-37
F. +49 9941 9423-24
service@kem-kueppers.com

More distributors & partners can be found at:
www.kem-kueppers.com