

Technical Datasheet

Starting from version: V06-12



VTGS Ex

Local Display

for wall mount with analog and frequency output

Local Display – VTGS Ex

Description

Compact on-site display with external carrier frequency or inductive sensor for the evaluation of volume flows.

All measurement results and parameters relevant for the process can be shown directly on the VTGS via the graphic display (that can be illuminated) and changed using the four membrane keys.

3 linearization banks with 20 points each are available to improve the accuracy. They are used to linearize the measurement signal depending on the chosen operating mode (external control, fixed assignment).

In pure 2-conductor operation (4 - 20 mA) the instantaneous value (flow) is dimensionally output on the current loop according to the programming.

A programmable digital output and a maximum of two control inputs (see technical data) are available in addition for further processing and control.

The VTGS has an interface that allows operating parameters to be set and measured values to be read with the help of the CON.USB interface adapter and the "KEM Easy Control" visualization software. Optionally this interface can also be carried out as HART.

The electrical connection is realized via a screw terminal strip that is exposed when the front cover is unscrewed and the display unit is flipped open.

Applications (depending on version)

- Ex-Approval
- Stainless steel or aluminum housing
- 3 x 20 points linearisation
- Graphic display
- Fast setup
- Integrated interface
- Programming and visualisation via KEM „Easy Control“ possible
- Setting of operation type
- Normalized frequency output
- Control inputs
- 2 Status-LEDs

Technical Data

General

Display	Intelligent LCD graphic display 132 * 32 dot View 15 * 50 mm
Operation	4-keys
Frequency Range	1 to 3,000 Hz (typical 0.5 to 5,000 Hz)
Media Temperature	Form K + R: -40 °C up to +120 °C [-40 °F up to +248 °F] ¹⁾ Max. medium temperature +120°C [248 °F] independent from sensor form (Ex, T4)
Ambient Temperature	-20 °C up to +70 °C [-4 °F up to +158 °F] (non Ex / Ex, T4)
Electrical Connection	Version K: External screw type terminals (Cable gland for 7 -13 mm) Internal screw type terminals (Cable gland for 0.14 - 1.5mm ²)
Pin Assignment	Digital output: „P“ 1 = +I 2 = -I 3 = 0 V 4 = DIG.OUT 5 = IN_A 7 = +24 V
EMC	According to EN 61000-6-4 and EN 61000-6-2
Ex-Approval	ATEX II 2G Ex ia IIC T4 Gb

¹⁾ With a distance >25 mm between flow meter and electronic housing

Analogue Output

Type	4 - 20 mA, 2-wire (passive)
Supplier	15 to 30 V, controlled
Load	< 400 Ω (at 24 V)
Resolution	12 Bit
Temp. Drift	< 100 ppm/K
Linearity	± 0.05 % F.S.
Sensor Material	Stainless steel 1.4104 [AISI 430 F]

Digital output (Impulse-Frequency Output-Limit)

Quantity	1
Output Type	„P“: Push/Pull (I_{max} 20 mA U_B max 30 V)
Output Mode	<ul style="list-style-type: none"> a. Direct frequency b. Normalized frequency (1.2 - 1,000 Hz) c. Divider with programmable pulse time (1 - 420 ms) d. Batch e. Limit (actual value or temperature)

Housing

Housing Material	Stainless steel DIN 1.4104 [AISI 316]
Weight	ca. 3.4 kg
Protection Class	IP65 (higher on request)
Dimensions	See dimensional drawing (page 4)

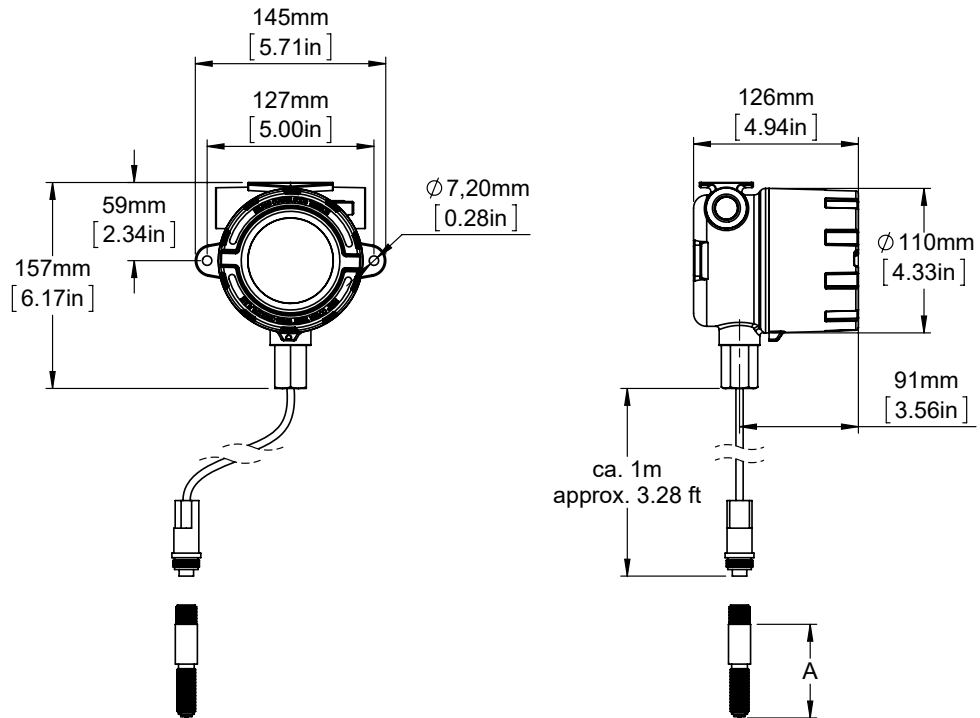
Interface (only one available)

Standard	„CON.USB.WT“ and incidental remote software „KEM EasyControl“
Option H	HART 7

Control Inputs

Quantity	1 for version with cable gland „P“
Level	Active high at $U_{in} > 3$ V related to pin 3
Internable Resistance	3.3 k
Programmable Function	Totalizer reset, hold, switch to linearisation tables

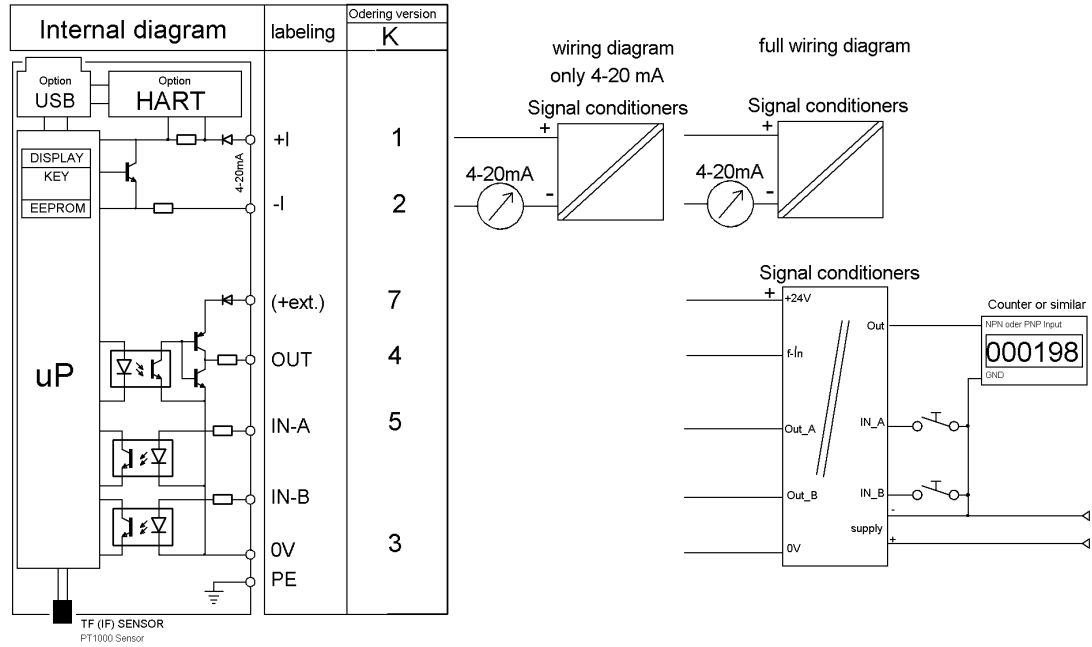
Dimensional Drawing



Type	A
K	72 mm [2.83 in]

Wiring Diagramm

with push/pull output (Ex and no Ex)



Safety Instructions

- a. Always supply pin 1 and 2.
- b. When the VTGS **** - Ex please follow the related rules for hazardous areas.
- c. No backlight for Ex versions.

Local Display – VTGS Ex

Ordering Code

	V	X	G	X	-	X	-	X	-	X	-	X	-	X
Pickup-System Carrier frequency		T												
Housing Stainless steel 1.4401			S											
Mechanical Sensor ZHM 01/* - 04, HM Serie						K								
Connection Version Cable gland								K						
Interface HART-Interface										H				
KEM-Interface (do not use in hazardous areas)										N				
Digital Output Push/Pull Output												P		
Ex Protection Ex-version Ex I (no backlight for Ex), ATEX Zone 1 II 2G Ex ia IIC T4 Gb														Ex



KEM Headquarters

Liebigstraße 5
85757 Karlsfeld
Germany

T. +49 8131 59391-0
F. +49 8131 92604

info@kem-kueppers.com

KEM Manufacturing Center

Wetzeller Straße 22
93444 Bad Kötzing
Germany

T. +49 9941 9423-0
F. +49 9941 9423-23

production@kem-kueppers.com

KEM Sales

Liebigstraße 5
85757 Karlsfeld
Germany

T. +49 8131 59391-100
F. +49 8131 92604

sales@kem-kueppers.com

KEM Service & Repairs

Wetzeller Straße 22
93444 Bad Kötzing
Germany

T. +49 9941 9423-37
F. +49 9941 9423-24

service@kem-kueppers.com

*More distributors & partners can be found at:
www.kem-kueppers.com*