

TRICOR Coriolis Mass Flow Meters

Fuel consumption measurement



Measure
Monitor
Analyze
Optimize



We understand the requirements of the maritime industry



Tanker



Bulk carrier



Container



OSV/PSV

Many years of experience and expertise in the area of automation technology and instrumentation makes us the ideal partner for flow measurement technology in the maritime industry. We offer you field tested and proven solutions, that meet rules and regulations - and help you **save money**. To accurately measure fuel consumption based on mass flow is becoming key for ship owners and operators in a field, where fuel consumption contributes most to the total costs. Accurate mass flow measurement with a TRICOR Coriolis Mass Flow Meter helps ship owners, operators and charterers to better control costs, decrease fuel consumption and as a consequence increase competitiveness of your fleet. With class leading density measurement and competitive pricing you should get the quickest possible return of investment.

How can you reduce the running costs of the vessels you operate? In our opinion there are 4 steps to improve your vessel performance.

The advantage of the four step approach is the fact, that you can decide, depending on budgets, when and whether you implement step 1 to step 4. Only with accurate flow information about your fuel consumption and with versatile monitoring systems you are able to conclude actions for sustainable optimization of your vessel performance and thus to save money.

Step 1: Measure



Step 2: Monitor



Step 3: Analyze



Step 4: Optimize

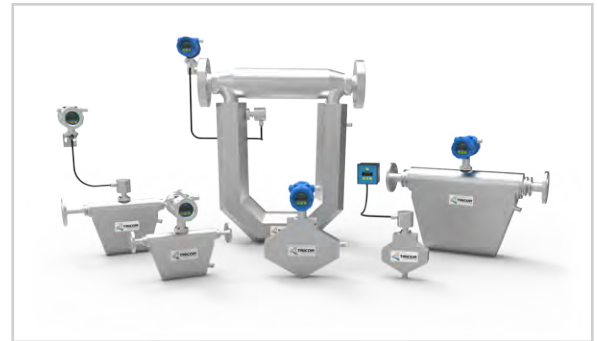


Measure

With a TRICOR Coriolis Mass Flow Meter you compare “apples with apples”. Since the measuring principle is independent of temperature and pressure, you get the **correct reading of your fuel consumption**, based on mass flow rate.

Coriolis Mass Flow Meters operate with two parallel tubes with coils that cause them to oscillate at their resonance frequency. Should a measurement flow enter the measuring tube, Coriolis forces are the result. Coriolis forces appear in oscillating systems when a mass moves towards or away from a rotational axis. They act on the inlet and outlet side in the opposite direction and minimally deform the measuring tubes. The deflection of the measurement tubes is captured by sensors on the inflow and outflow side. These two sensors measure a phase shift that is proportional to the mass flow.

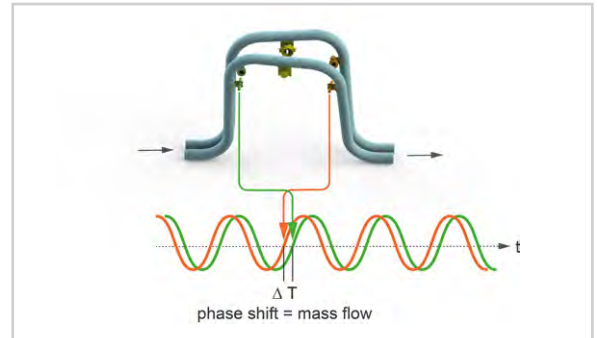
The resonance frequency of the tubes varies depending on the density of the medium to be measured. This effect is used to measure the density of the medium.



TRICOR Coriolis product family

Benefits of Coriolis Mass Flow Meters

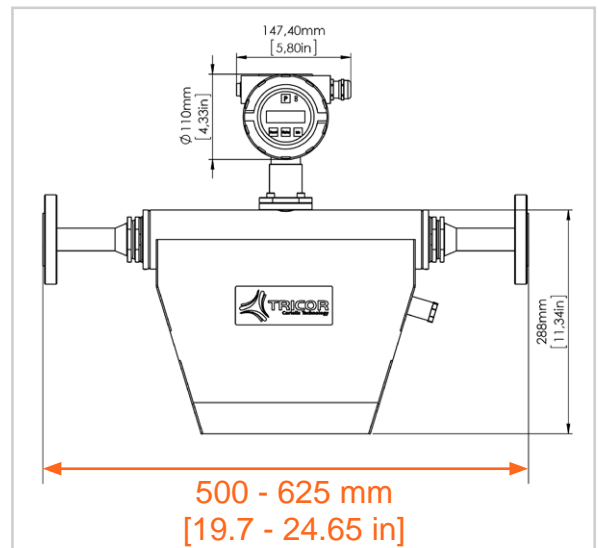
- All in one mass flow and density meter
- Direct mass flow measurement
- Real time density measurement for fuel quality control
- No moving parts
- No upstream and downstream piping required
- Replaces all kind of volume based flow meters
- Excellent repeatability in order to determine actions for process/engine optimization
- Maintenance free



Principle of operation

And TRICOR Coriolis Mass Flow Meters go one step further:

- Outstanding density measurement performance
- Customized meters for your requirement
- Calibration according DIN EN ISO/IEC 17025:2005 for various oils, traceable to national and international standards
- Density Range: 650 kg/m³ – 1000 kg/m³
- Viscosity Range: 1 mm²/s – 100 mm²/s

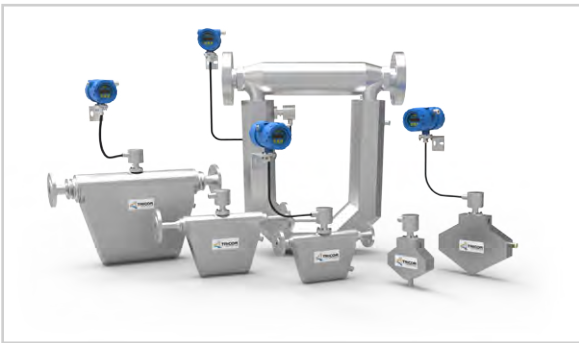


Customized meter dimensions:
TRICOR Coriolis Mass Flow Meter TCM 028K

TRICOR Coriolis Mass Flow Meters - Specification



TRICOR Coriolis compact version



TRICOR Coriolis remote version

Accuracy:

Basic Accuracy [Mass Flow]:	±0.1 % of flow rate
Mass Flow Repeatability:	±0.05 % of flow rate
Basic Accuracy [Volume Flow]:	±0.15 % of flow rate
Volume Flow Repeatability:	±0.05 % of flow rate
Zero Stability:	±0.01 % of full scale

Density:

Density Range:	up to 2500 kg/m ³ · 2.5 g/cm ³
Density Accuracy:	Liquids ±1.0 kg/m ³ , ±0.001 g/cm ³
Density Repeatability:	±0.5 kg/m ³ , ±0.0005 g/cm ³

Temperature:

Process Temperature Range:	standard:	-40 °C ... +100 °C, -40 °F ... +212 °F
	optional:	-60 °C ... +150 °C, -76 °F ... +302 °F -60 °C ... +180 °C, -76 °F ... +356 °F

Temperature Accuracy:	±1 °C ±0.5 % of reading ±1.8 °F ±0.5 % of reading
-----------------------	------------------------------------------------------

Temperature Repeatability:	±0.2 °C, ±0.36 °F
----------------------------	-------------------

Materials of Construction [wetted parts]:

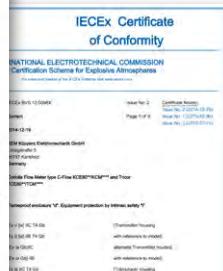
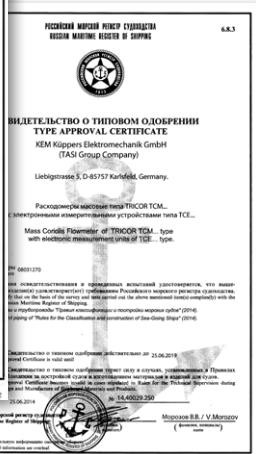
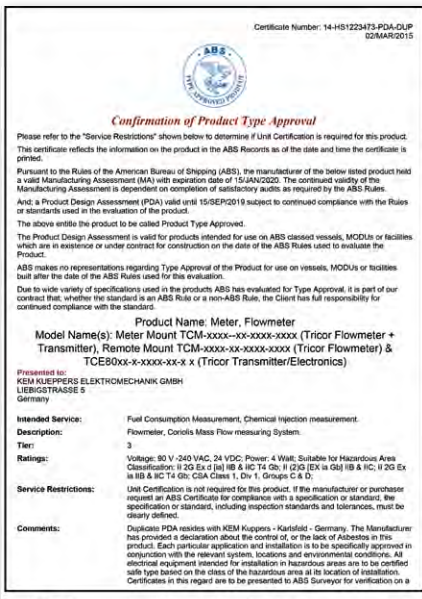
Tubes:	1.4404/AISI 316L
Case:	1.4404/AISI 316L

Ex Certifications:

ATEX:	Zone 1: Group IIB or IIC, T4 Zone 2: II 3G Ex nA IIC, T4 Gc
IECEx:	Zone 1: Group IIB or IIC, T4
cCSAus Ex:	Class I, Division 1: Group C, D, T4

Product Type Approval:

American Bureau of Shipping:	Certificate Number: 14-HS1223473-PDA-DUP
RMRS:	Russian Maritime Register of Shipping



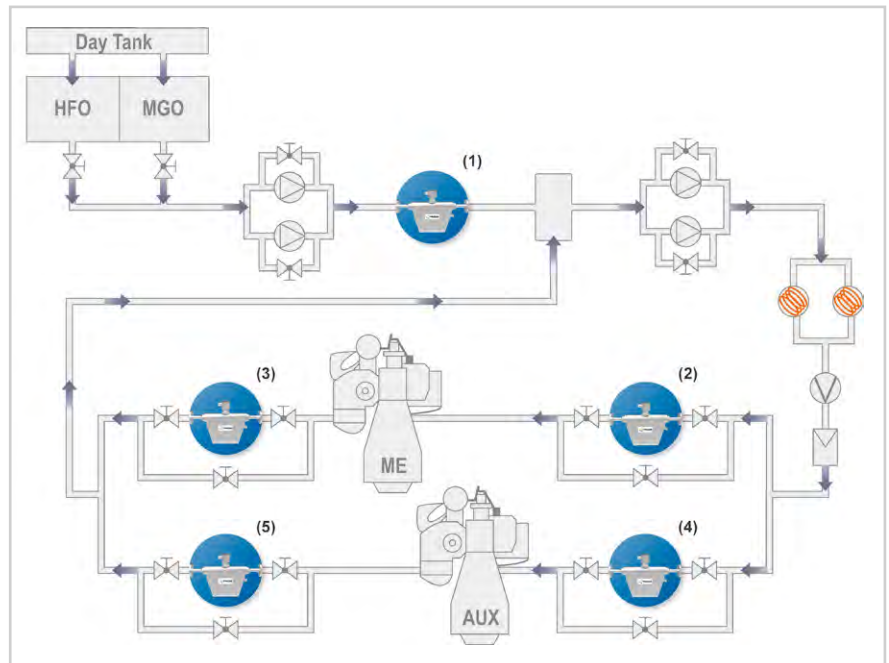
Typical Applications - TRICOR Coriolis Mass Flow Meters

- (1) Total Supply from day tanks
- (2) Supply ME
- (3) Return ME
- (4) Supply AUX
- (5) Return AUX
- (6) Total return

ME (Main Engine)
 AUX (Auxiliary Engine)
 HFO (Heavy Fuel Oil)
 MGO¹ (Marine Gas Oil)

¹ represents just one of various other fuel oil options as an example

Open & Closed loop recirculation



(1) Total Supply only

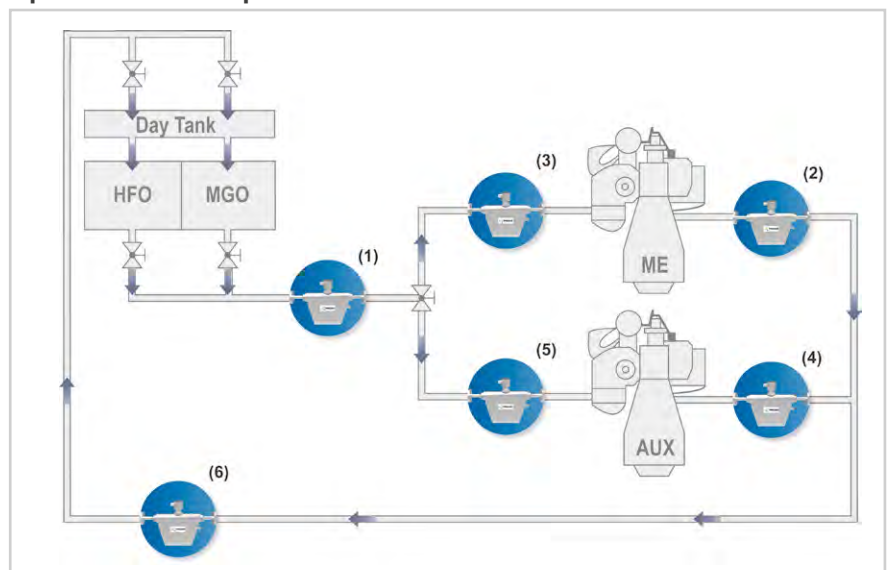


$(1) - \Delta (2 \ \& \ 3) = \text{Total Consumption AUX}$ or
 $(1) - \Delta (4 \ \& \ 5) = \text{Total Consumption ME}$



$\Delta (2 \ \& \ 3) + \Delta (4 \ \& \ 5) = \text{Total Consumption}$

Open & Closed loop without recirculation



$(1) - (6) = \text{Total Consumption}$



$\Delta (2 \ \& \ 3) + \Delta (4 \ \& \ 5) = \text{Total Consumption}$

Conclusion

There are various setups possible depending on your budget. Fuel consumption and engine performance are optimized by how accurately you measure, monitor, analyze and optimize.

TRICOR Coriolis Mass Flow Meters - Typical Applications

Metric Tons [MT/h]	Fuel Oil Density @ 900 kg/m ³ Viscosity @ 5-15 cSt Pressure Drop 1 bar/14.5 psi	Fuel Oil Density @ 900 kg/m ³ Viscosity @ 180 cSt Pressure Drop 1 bar/14.5 psi	Fuel Oil Density @ 900 kg/m ³ Viscosity @ 380 cSt Pressure Drop 1 bar/14.5 psi
Cylinder Oil Mass Flow Rate [max]	TCM 0325 0.17		
Cylinder Oil Mass Flow Rate [max]	TCM 0650 0.44		
Main/Auxiliary Engine Mass Flow Rate [max]	TCM 1550 0.73	TCM 1550 0.15	TCM 1550 0.075
Main/Auxiliary Engine, Boiler Mass Flow Rate [max]	TCM 3100 1.8	TCM 3100 0.58	TCM 3100 0.29
Main/Auxiliary Engine, Boiler Mass Flow Rate [max]	TCM 5500 1.9	TCM 5500 0.41	TCM 5500 0.20
Main/Auxiliary Engine, Boiler Mass Flow Rate [max]	TCM 7900 3.2	TCM 7900 1.1	TCM 7900 0.53
Main/Auxiliary Engine, Boiler Mass Flow Rate [max]	TCM 028K 12.3	TCM 028K 7.5	TCM 028K 4.1
Main/Auxiliary Engine Mass Flow Rate [max]	TCM 065K 39.2	TCM 065K 32.8	TCM 065K 21.4
Bunkering Mass Flow Rate [max]	TCM 230K 122.0	TCM 230K 97.6	TCM 230K 88.0

How to select the meter for your application

Use our sizing program.

TCM 028K Series
Coriolis Mass Flow Meter and Density Meter for Marine Fuel Consumption Management.

- All in one meter flow and density measurement
- Excellent measurement range
- Direct mass flow measurement
- Real time density measurement for fuel quality control
- No moving parts
- Pressure and flow of volume based measurement
- Excellent repeatability in order to determine costs for propellant optimization
- Maintenance free.

Accuracy: ±0.1% of flow rate
Density: ±0.0001 g/cm³ (range of 0.8 to 1.2 g/cm³)

Temperature: -40 to 150 °C (-40 to 302 °F)

Materials of Construction (wetted parts): 316L SS, Hastelloy C-276

Typical Specification: Nominal Size: DN25"

See full specification of the meter:
www.tricorflow.com/applications-industries/tricor-coriolis-flowmeters-marine/#downloads

Send us your request through our Marine Questionnaire.

Providing visibility to users by collecting information from equipment for routine and ongoing monitoring; TRICOR Coriolis Mass Flow Meter provide **exact and reproducible data**, that enable you to adjust machines, pumps and valves precisely. Collect the flow information in a monitoring system and start comparing fuel consumption by consumers. Since the crew is key to determine what internal and external influences affect the fuel consumption of the vessel, visualization of flow data is a first step to identify where there is potential for fuel savings. With a Vessel Performance Monitoring system you compare historical data with existing data of your vessel. Setting a benchmark for expected fuel consumptions in conjunction with engine performance provides you with all the data for complete **optimization**.



Monitor

- Monitor vessel fuel consumptions
- Compare noon-to-noon fuel consumption
- Reduce workflow process using centralized displays
- Customer pre-set alarms limits
- Data needed from Mass Flow Meters and GPS sensors

Analyze

- Compare historical SFOC performance vs. baseline
- Optional trend lines available
- Customer pre-set alarm limits
- Data needed from Mass Flow Meters and engine control

Optimize

- Get accurate flow information
- Monitor fuel consumption and engine performance
- Submit your voyage report with accurate data
- Analyze vessel performance
- Optimize vessel performance with sustainable data



VPS Dashboard - ME



VPS Dashboard - Main

Fuel oil costs represent the biggest share of a vessel's total operating cost, fuel consumption optimizing is on everybody's agenda. To verify the amount of fuel oil delivered during a bunkering operation, you need accurate and reliable measurements.

Accurate data is crucial to obtain control over the use of your fuel. Dependable measurements allow you to see the real detailed picture and give potential for significant savings in fuel consumption. Based on this knowledge you will optimize your vessel performance and this leads you to a **fast return on investment**.



Take advantage of our strong **Global Flow Solution Network** with competence in a diverse lineup of flow measurement technologies.



www.tasigroup.com

North and South America
AW-Lake Company
8809 Industrial Drive
Franksville, WI 53126 USA
P: +1 800 850 6110

Singapore
TASI Flow Southeast Asia
Representative Office (RO) Singapore
1003 Bukit Merah Central #06-32, Singapore 159836
UEN: T15RF0080G
P: +65 6274 1130

China
TASI Flow China
Rm. 2429 Jin Yuan Office Building, No. 36
CN - BeiYuan Road, Beijing 100012
P: +86 10 520 037 38

Rest of the World
KEM Küppers Elektromechanik GmbH
Liebigstraße 5
85757 Karlsfeld, Germany
P: +49 (0)8131 59391-0