



CORIOLIS MASS FLOW AND DENSITY METER FOR MARINE FUEL CONSUMPTION MANAGEMENT

- Customized installation length
- Direct mass flow measurement
- Real time density measurement for fuel quality control
- Maintenance free
- No moving parts
- Replaces all kind of volume based flow meters
- Excellent repeatability in order to determine actions for process/engine optimization
- Recommended 5 year meter recalibration

ACCURACY¹⁾

Basic Accuracy (Mass Flow) ²⁾ :	±0.3 % (option: up to ±0.15 %) of flow rate
Repeatability (Mass Flow):	±0.05 % of flow rate
Basic Accuracy (Volume Flow) ²⁾ :	±0.3 % (option: up to ±0.2 %) of flow rate
Repeatability (Volume Flow):	±0.05 % of flow rate
Zero Stability:	±0.015 % of full scale

DENSITY

Density Range:	up to 2,500 kg/m ³ [2.5 g/cm ³]
Density Accuracy ²⁾ :	±1.0 kg/m ³ [±0.001 g/cm ³]
Density Repeatability:	±0.5 kg/m ³ [±0.0005 g/cm ³]

TEMPERATURE

Process Temperature Range:	-40 °C ... +100 °C [-40 °F ... +212 °F] Option: -60 °C ... +200 °C [-76 °F ... +392 °F]
Temperature Accuracy:	±1 °C ±0.5 % of reading [±1.8 °F ±0.5 % of reading]
Temperature Repeatability:	±0.2 °C [±0.36 °F]

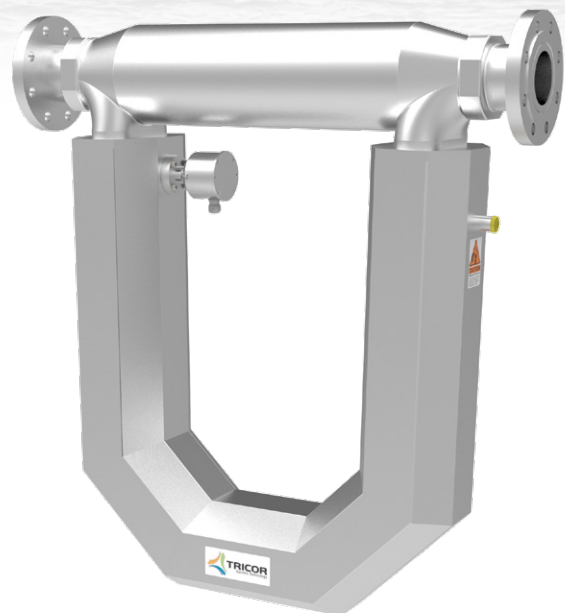
MATERIALS (WETTED PARTS)

Tubes:	1.4404 [AISI 316L]
Case:	1.4404 [AISI 316L]
Flow Splitter:	CF3M [1.4409]

Option: NACE MR 0175/0103 compliant

TYPICAL SPECIFICATION:

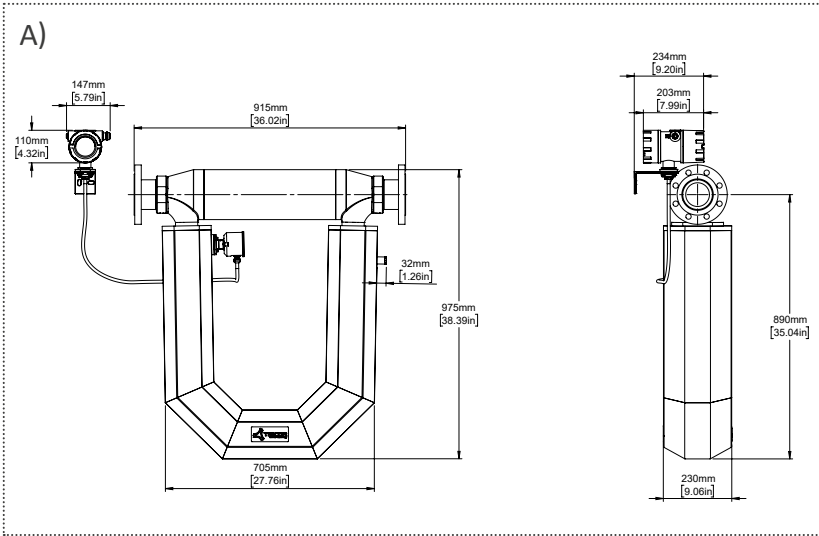
Nominal Meter Size:	DN80 [3"]
---------------------	-----------



¹⁾ Stated flow accuracy combines the effects of repeatability, linearity and hysteresis.
²⁾ The specifications refer to standard conditions (for further information see TCM CLASSIC series manual).



CLASSIC Series | TCM 230K Coriolis Mass Flow Meter



METER DIMENSIONS³⁾ AND WEIGHTS

A) Remote Version

Weight: 87 kg [191.8 lb]

With junction box and remote field mount

Process Connection:

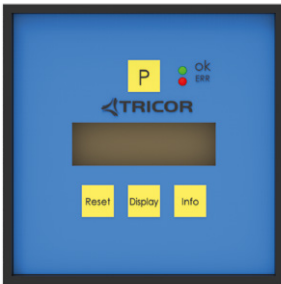
standard meter connection according table

APPROVALS & CERTIFICATIONS

Hazardous area (Ex)

ATEX Zone 1 IECEX	Compact version: II 2G Ex db ia IIB T4 Gb Remote version⁵⁾: Sensor: II 1G Ex ia IIB T4...T2 Ga Transm.: II 2(1)G Ex db [ia Ga] IIB T4 Gb
Atex Zone 2	All versions: II 3G Ex nA IIB T4
cCSAus ⁴⁾	Compact version: Cl. 1, Div. 1, Group C, D: T4 (US, Can) Ex db ia IIB T4 Gb (Can) Remote version⁵⁾: Sensor: Cl. 1, Div. 1, Group C, D: T4...T2 (US, Can) Ex ia IIB T4...T2 Ga (Can) Transm.: Cl. 1, Div. 1, Group C, D: T4 (US, Can) Ex db [ia Ga] IIB T4 Gb (Can)
EAC (TR-CU)	Compact version: 1Ex d ia IIB T4 Gb X Remote version⁵⁾: Sensor: 0Ex ia IIB T4...T2 Ga X Transm.: 1Ex d [ia Ga] IIB T4 Gb X
KGS (Korean)	Compact version: Ex d [ia] IIB T4 Remote version⁵⁾: Sensor: Ex ia IIB T4 Transm.: Ex d [ia] IIB T4

PANEL MOUNT⁶⁾



REMOTE MOUNT⁷⁾



ELECTRONICS

Power Supply: 24 V DC or 100 ... 240 V AC (version dependent)
 Outputs: Analog, Frequency, Pulse, Status
 Interfaces: RS485 RTU (Modbus), HART®
 Cable Gland: M20 | ½" NPT

Product Type Approval

American Bureau of Shipping	Certificate Number: 14-HS1223473-PDA-DUP
RMRS	Russian Maritime Register of Shipping

³⁾ Drawing of the Meter Dimensions reflects one standard connection, other connections on request (Installation length can vary depending on selected connection).

⁴⁾ For cCSAus the electronic is only available in aluminum housing.

⁵⁾ Only wall mounting, not panel mounting.

⁶⁾ Weight: 0.4 kg [0.88 lb].

⁷⁾ Weight with aluminum diecast housing: 3.8 kg [8.4 lb] with 3 m cable, Weight with 1.4404 [AISI 316L] housing: 6.15 kg [13.56 lb].

www.tricorflow.com



NORTH & SOUTH AMERICA
 AW-Lake Company
 2440 W. Corporate Preserve Dr. #600
 Oak Creek WI 53154 | USA
 +1 414 574 4300

ASIA PACIFIC & MIDDLE EAST
 KEM Küppers Elektromechanik GmbH
 Liebigstraße 5
 85757 Karlsfeld | Germany
 +49 8131 59391-0

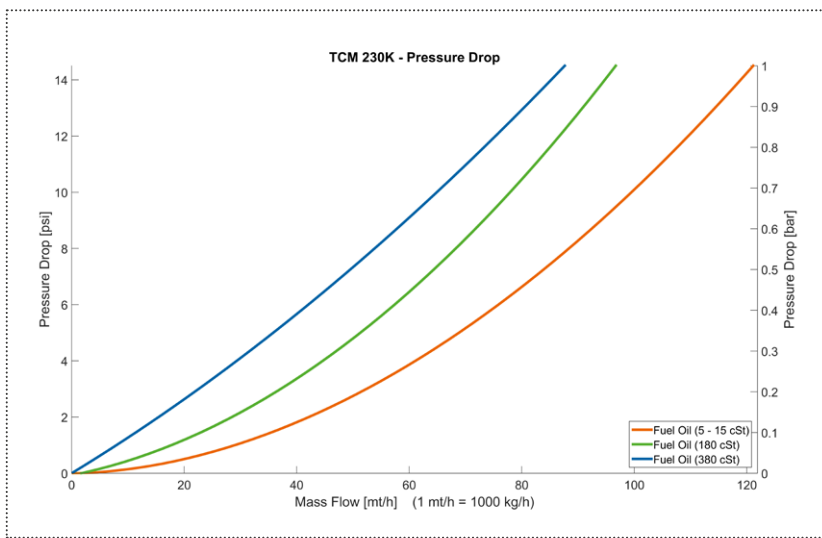
CHINA
 KEM flow technology (Beijing) Co., Ltd.
 Rm. 906, Block C, Ruiipu Office Bldg, No. 15
 HongJunYingNan Road
 Chaoyang District, Beijing 100012 | China
 +86 10 84929567

EUROPE (ROW)
 KEM Küppers Elektromechanik GmbH
 Liebigstraße 5
 85757 Karlsfeld | Germany
 +49 8131 59391-100



PROCESS CONNECTION

Model Code	ANSI B16.5 or DIN EN 1092-1 Form B	Face-to-Face (mm)	Flange - Ø (mm)	Screws QTY	Hole - Ø for screws (mm) or screw dim.
AS	3.0" CL 150 ANSI	915	190	4	19
AT	3" CL 300 ANSI	915	210	8	22
AU	3" CL 600 ANSI	915	210	8	22
AW	4" CL 150 ANSI	915	230	8	19
AX	4" CL 300 ANSI	915	255	8	22
DJ	DN80 PN40 EN 1092-1 Form B1	915	200	8	M16
DK	DN80 PN100 EN 1092-1 Form B1	915	230	8	M24
DL	DN100 PN40 EN 1092-1 Form B1	915	235	8	M20



PRESSURE DROP

Range	Fuel Oil		
Viscosity (cSt)	5-15	180	380
Density (kg/m ³)	900	900	900
Flow Rate (mt/h)	122.0	97.6	88.0
Pressure Drop (bar/psi)	1 [14.5]		

www.tricorflow.com



NORTH & SOUTH AMERICA
 AW-Lake Company
 2440 W. Corporate Preserve Dr. #600
 Oak Creek WI 53154 | USA
 +1 414 574 4300

ASIA PACIFIC & MIDDLE EAST
 KEM Küppers Elektromechanik GmbH
 Liebigstraße 5
 85757 Karlsfeld | Germany
 +49 8131 59391-0

CHINA
 KEM flow technology (Beijing) Co., Ltd.
 Rm. 906, Block C, Ruiipu Office Bldg, No. 15
 HongJunYingNan Road
 Chaoyang District, Beijing 100012 | China
 +86 10 84929567

EUROPE (ROW)
 KEM Küppers Elektromechanik GmbH
 Liebigstraße 5
 85757 Karlsfeld | Germany
 +49 8131 59391-100