



FEATURES

- Easy interface & factory pre-configured
- Programmable control inputs and outputs
- Approvals for use in hazardous areas

BENEFITS

- ▶ Works out of the box, reduce installation cost
- ▶ Transmits flow rate, total, density or temperature
- ▶ Certified for use in nearly all plant environments

SPECIFICATIONS

Display:	back-lit LCD screen 132 x 32 dot Programmed via front keyboard or TRICOR configurator (Modbus)
Supply Voltage:	24 V DC or 100 ... 240 V AC (version dependent)
Power Consumption:	4 W (DC), max. 11 W (AC)
Reverse Polarity Protection:	yes
Galvanic Isolation:	2,500 V AC
Interfaces:	RS485 (Modbus RTU), HART® Foundation Fieldbus®
Cable Glands:	Suitable for 7 - 13 mm cables Material: Brass/Ni plated (option: 1.4404 [AISI 316]) Thread: 2 x 1/2" NPT or 2 x M20 x 1.5
Housing Material:	Aluminum option: 1.4404 [AISI 316L]
Protection Class:	IP65 (IP66/IP67 on request)

ANALOG OUTPUT

Current Outputs (2x):	4 ... 20 mA passive
Output Value (programmable):	flow, total mass, total volume, density, temperature

PULSE OUTPUT

Frequency Range:	0.5 - 10,000 Hz
Output Signal:	active push-pull output for flow rate

STATUS IN- AND OUTPUT

Status Output:	push pull programmable in TOTAL mode: 0.5 - 100 Hz in FREQUENCY mode: 0.5 - 10,000 Hz
Control Input:	programmable

ANALOG INPUT (OPTION):

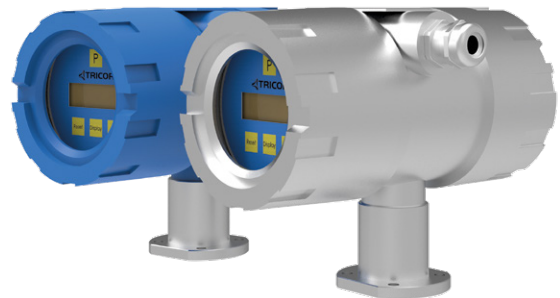
Input Type:	4 ... 20 mA active for two-wire passive pressure sensor
-------------	--

TEMPERATURE

Ambient Temperature (AC):	-40 °C ... +50 °C [-40 °F ... +122 °F]
Ambient Temperature (DC):	-40 °C ... +70 °C [-40 °F ... +158 °F]
Storage and Transport:	-40 °C ... +80 °C [-40 °F ... +176 °F]

CONNECTIVITY

Electrical Connections:	cage clamp terminals
-------------------------	----------------------



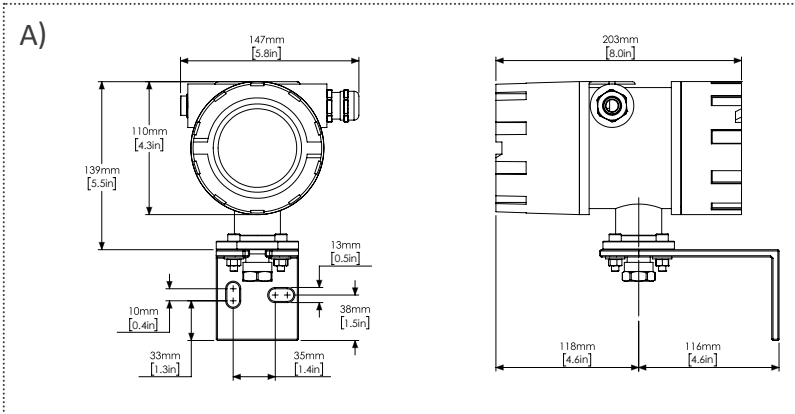
Compact Version



Remote Version (wall mount)



CLASSIC Series | TCE 8000/8100 Coriolis Transmitter



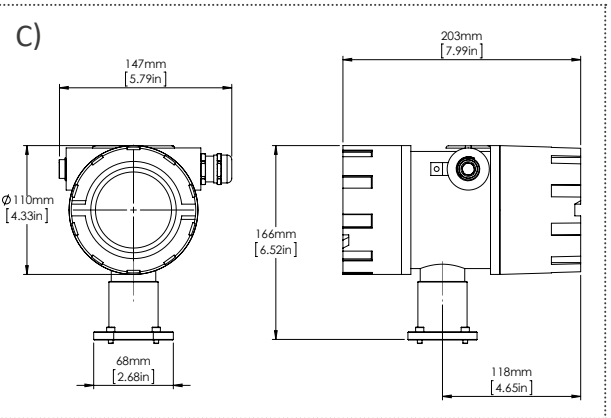
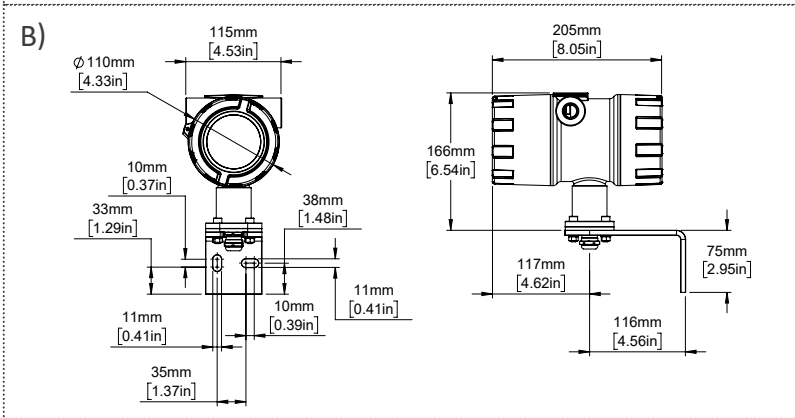
METER DIMENSIONS AND WEIGHTS

A) Meter-Mount Electronics

B) Wall-Mount Electronics

Weight: aluminum diecast housing:
3.8 kg [8.4 lb] with 3 m cable
1.4404 [AISI 316L] housing:
6.15 kg [13.56 lb]

C) Meter-Mount Electronics with blind cover



APPROVALS & CERTIFICATIONS

Hazardous area

TCM 0325, 0650, 1550, 3100, 5500 and 7900

TCM 028K, 065K and 230K

ATEX Zone 1	Compact version: II 2G Ex db ia IIC T4 Gb Remote version ²⁾ : II 2(1)G Ex db [ia Ga] IIC T4 Gb	Compact version: II 2G Ex db ia IIB T4 Gb Remote version ²⁾ : II 2(1)G Ex db [ia Ga] IIB T4 Gb
ATEX Zone 2	All versions: II 3G Ex nA IIC T4	All versions: II 3G Ex nA IIB T4
IECEX	Compact version: Ex db ia IIC T4 Gb Remote version ²⁾ : Ex db [ia Ga] IIC T4 Gb	Compact version: Ex db ia IIB T4 Gb Remote version ²⁾ : Ex db [ia Ga] IIB T4 Gb
cCSAus¹⁾	Compact version: Cl. 1, Div. 1, Group A-D: T4 (US, Can) Ex db ia IIC T4 Gb (Can) Remote version ²⁾ : Cl. 1, Div. 1, Group A-D: T4 (US, Can) Ex db [ia Ga] IIC T4 Gb (Can)	Compact version: Cl. 1, Div. 1, Group C, D: T4 (US, Can) Ex db ia IIB T4 Gb (Can) Remote version ²⁾ : Cl. 1, Div. 1, Group C, D: T4 (US, Can) Ex db [ia Ga] IIB T4 Gb (Can)
EAC (TR-CU)	Compact version: 1Ex d ia IIC T4 Gb X Remote version ²⁾ : 1Ex d [ia Ga] IIC T4 Gb X	Compact version: 1Ex d ia IIB T4 Gb X Remote version ²⁾ : 1Ex d [ia Ga] IIB T4 Gb X
KGS (Korean)	All versions: Ex d [ia] IIC T4	All versions: Ex d [ia] IIB T4

EMC

EN 61000-6-4

EN 61000-6-2

¹⁾ For cCSAus the electronic is only available in aluminum housing.

²⁾ Only for remote electronics.

www.tricorflow.com



NORTH & SOUTH AMERICA
AW-Lake Company
2440 W. Corporate Preserve Dr. #600
Oak Creek WI 53154 | USA
+1 414 574 4300

ASIA PACIFIC & MIDDLE EAST
KEM Küppers Elektromechnik GmbH
Liebigstraße 5
85757 Karlsfeld | Germany
+49 8131 59391-0

CHINA
KEM flow technology (Beijing) Co., Ltd.
Rm. 906, Block C, Ruiipu Office Bldg, No. 15
HongJunYingNan Road
Chaoyang District, Beijing 100012 | China
+86 10 84929567

EUROPE (ROW)
KEM Küppers Elektromechnik GmbH
Liebigstraße 5
85757 Karlsfeld | Germany
+49 8131 59391-100