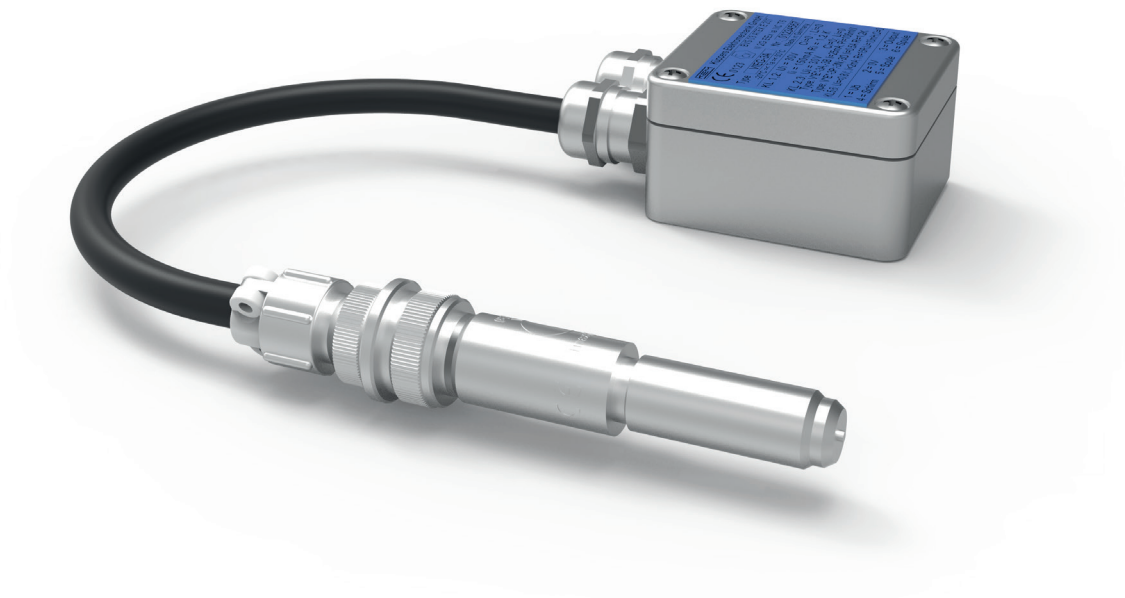


Technical Data Sheet



IF and VIEG (Ex)

Inductive Pickups and Amplifiers
for extreme medium temperatures

Application

Contactless IF sensors detect the rotational speed of KEM flow meters. These are inductive sensors that output a sinusoidal voltage signal in the mV range. The remotely via cable connected VIEG amplifier unit amplifies and converts this signal. The spatial and thermal separation of the IF sensor and amplifier unit allows flows to be measured at extreme medium temperatures of -196 °C up to +350 °C [-320.8 °F up to +662 °F]

Technical Specifications – VIEG-XX

Supply Voltage U_B	+7 up to 29 V DC
Quiescent Current	< 4 mA
Frequency Range	7 up to 3,000 Hz depending on flow meter
Ambient Temperature	-20 °C up to +50 °C [-4 °F up to +122 °F] (Ex T4) -40 °C up to +80 °C [-40 °F up to +176 °F] (non Ex)
Medium Temperature:	Max. +350 °C [+662 °F] depending on IF sensor
Input Impedance	< 100 Ω
Input	0.5 to 500 mV
Electrical Connection	Two 3-pin terminal blocks for inductive pickup, amplifier, power supply and output signal
Housing	Aluminum, L = 64, W = 58, H = 37 (mm) With 2 cable glands
Weight	Approx. 400 g
Dimensions	See dimensional drawing (page 6)
Degree of Protection	IP65 (DIN 40050)
Ex Protection	II 2G EEx ia IIC T4-T6

Frequency Output

Three-Wire Active NPN	High level: $U_{high} > U_B - 0.6 V - (2.6 k\Omega \cdot I_{out})$ Low level: $U_{low} < 0.6 V + (1.3 k\Omega \cdot I_{out})$
Three-Wire Passive NPN/Open Collector	High level: $U_{high} > U - (1.3 k\Omega \cdot I_{out})$ Low level: $U_{low} < 0.6 V + (1.3 k\Omega \cdot I_{out})$ U, applied to the output, max. 29 V
Three-Wire PNP Active (not available for Ex-Versions)	High level: $U_{high} > U - 0.6 V - (150 \Omega \cdot I_{out})$ Low level: $U_{low} = \text{closing}$ $I_{max.} = 60 \text{ mA}$, $P_{max.}$ an $R_s = 1 \text{ W}$, $R_s = 150 \Omega$ Current level two-wire DIN 19234 NAMUR High level: $I_{high} > 2.2 \text{ mA}$ Low level: $I_{low} < 1.1 \text{ mA}$

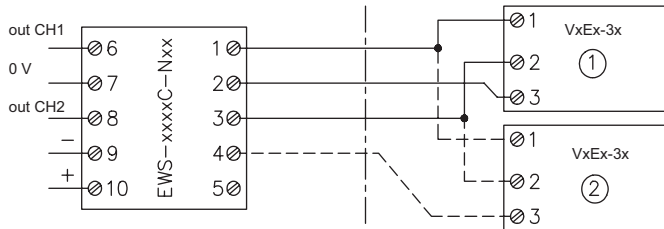
Technical Specifications – IF*

Outlet	U _{ss} 0.5 mV up to 500 mV
Output Resistance	< 100 Ω
Frequency Range	7 to 3,000 Hz
Medium Temperature (non Ex)	-40 °C up to +120 °C [-40 °F up to +248 °F] (IF X) -60 °C up to +240 °C [-76 °F up to +464 °F] (IF X HT) -60 °C up to +350 °C [-76 °F up to +662 °F] (IF X HTK)
Medium Temperature (Ex)	-20 °C up to +120 °C [-4 °F up to +248 °F] (IF X) (T4) -20 °C up to +240 °C [-4 °F up to +464 °F] (IF X HT) (T2)
Connection	Connector type MIL 3-pole
Housing Material	Stainless steel as per DIN 1.4104 [AISI 430F]
Dimensions	See drawing
Ex Protection	II 2G EEx ia IIC T4-T6
Parameters	U _o : AC 2.6 V I _o : 35 mA P _o , P _i : 25 mW R _i : 75 Ω C: negligible L _i : 30 mH

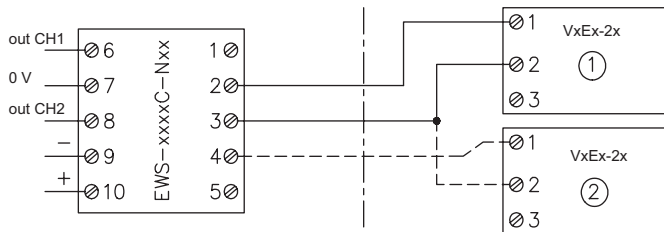
Safety-Related Data – VIEG-**-Ex

Three wire active NPN, version VIEG-3A				
Input	Terminal 1 and 2	U _{max} = 30 V R _i = 1.2 kΩ	I _{max} = 150 mA C _i = 0	P _i = 250 mW L _i = 0
Output	Terminal 2 and 3	U _{max} = 30 V R _i = 1.2 kΩ	I _{max} = 25 mA C _i = 0	L _i = 0
Three-wire passive NPN/open collector, version VIEG-3P				
Input	Terminal 1 and 2	U _{max} = 30 V R _i = 1.2 kΩ	I _{max} = 150 mA C _i = 0	P _i = 250 mW L _i = 0
Output	Terminal 2 and 3	U _{max} = 30 V R _i = 1.2 kΩ	I _{max} = 500 mA C _i = 0	P _i = 250 mW L _i = 0
Two-wire passive DIN 19234 NAMUR, version VIEG-2N				
Input-output	Terminal 1 and 2:	U _{max} = 30 V C _i = 56.4 nF	I _{max} = 150 mA L _i = 0	P _{max} = 175 mW
Version VIEG-**-				
Input	Terminal 5 and 6	U _o = 0.8 V R _i = 15 Ω	I _o = 2 mA C _i = negligible	P _o = 1.6 mW L _i = negligible
Connect only pickups of the following safety-relevant values to input terminals 5 and 6:				
		U _i = 30 V P _i = 25 mW	I _i = 65 mA L/R < 2.4 mH/Ω	

Examples for Connecting Ex-Versions



Three-wire connection EWS-xxxxC-Nxx ¹⁾ with one or two VIEG-3*

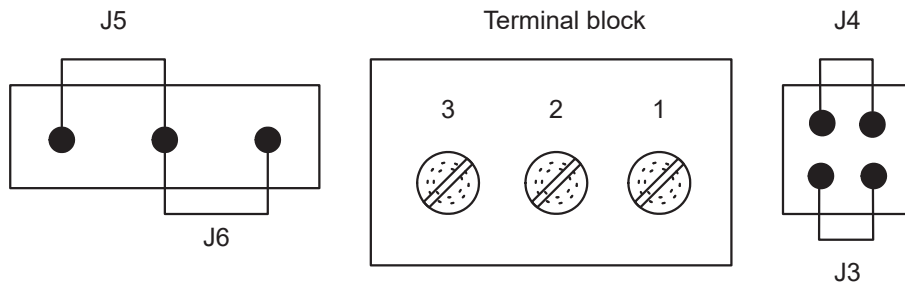


Two-wire connection EWS-xxxxC-Nxx ¹⁾ with one or two VIEG-2*

Setting the Output Mode

In the VIEG amplifier unit the type of output for non-Ex applications can be selected freely. By inserting or removing the 2 jumpers, the output mode is defined. The output mode in all VIEG with Ex approval is preset and cannot be changed. The output mode is determined in advance by the appropriate type designation and is factory set.

Output mode	Jumper J3	Jumper J4	Jumper J5	Jumper J6
Two-Wire Passive DIN 19234 NAMUR	Remove	Insert	Remove	Remove
Three-Wire Active NPN	Insert	Remove	Remove	Insert
Three-wire Active PNP (PLC)	Insert	Remove	Insert	Remove
Three-wire Passive NPN/Open Collector	Remove	Remove	Remove	Insert



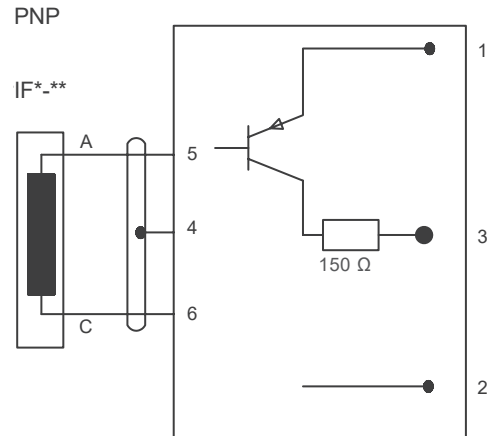
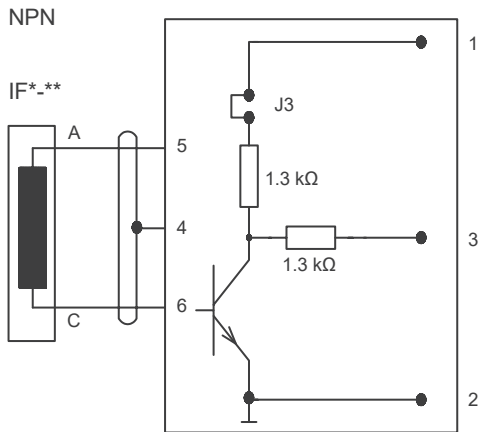
¹⁾ EWS = intrinsically safe power supply unit and isolation amplifier, required for Ex applications

Connections

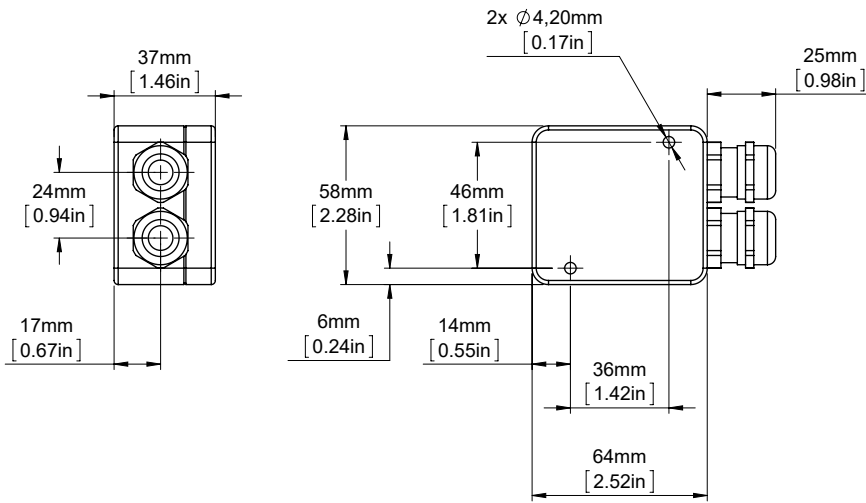
Terminal Assignment

1 = +U_B
 2 = 0 V/GND
 3 = output signal

4 = 0 V/GND/shield
 5 = signal IF-coil
 6 = signal IF-coil

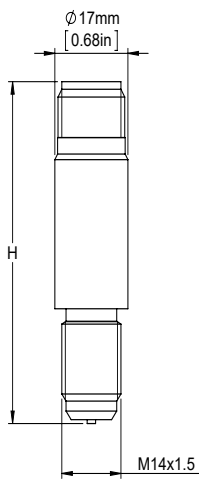


Dimensional Drawing



VIEG

Isolated amplifier unit



IF and IF - HTK

Isolated pulse amplifiers

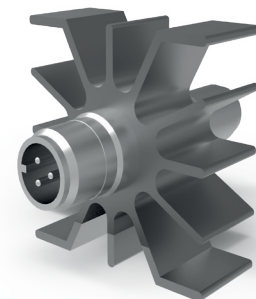
Type	H
IF K/R	86 mm
IF K - HTK	[3.38 in]
IF L/S	126 mm
IF L - HTK	[4.96 in]



VIEG



IF and VIEG



IF - HTK

Ordering Code

Amplifier in non Ex Version

VIEG - X

Options

For ZHM 01/*, SRZ and LFM	R
For ZHM 02 up to 07, HM-Series	-

Amplifier in Ex Version

VIEG - X X Ex

Options

Three-wire passive NPN/Open Collector	3	P
Three-wire active NPN	3	A
Two-wire passive DIN 19234 NAMUR	2	N

Ex Protection

II 2G EEx ia IIC T5/T6	Ex
------------------------	----

Example: VIEG-3P Ex

Pickup Ex/non Ex

IF - X X X Ex

Mechanical Design

ZHM 01/* - 04, HM series	K
ZHM 01, SRZ Serie, LFM series	R
ZHM 01/* - 07, HM series	L
ZHM 01, SRZ, LFM series	S

Options

High temperature version up to +350 °C [+662 °F] (no Ex-protection)	HT	K
High temperature version up to +240 °C [+464 °F]	H	T
Cable screw with 3 Meter cable	P	G

Ex Protection

II 2G EEx ia IIC T6	Ex
---------------------	----

Safety Instructions

The following has to be adhered to:

- a. Installation instructions for electrical devices.
Installation instructions for associated intrinsically-safe devices.
The »Special conditions for safe use« as per EC-Type Examination Certificate.
- b. The amplifier has to be installed in a way that the maximum ambient temperature of +50 °C [+122 °F] is not exceeded under any circumstances (take self-heating into account).
- c. With cables, care should be taken that the maximum inductivity and capacity of the respective voltage or gas group are not exceeded.
- d. Please note that exceeding or falling below the regular measuring range will cause invalid frequency output signals.
- e. Shielded cables have to be used as connecting cables.
- f. Generally, supplied units have to be connected by a professional technician according to EMC stipulations.



Küppers Elektromechanik GmbH

www.kem-kueppers.com

info@kem-kueppers.com

KEM Headquarters

Liebigstraße 5
85757 Karlsfeld
Germany

T. +49 8131 59391-0
F. +49 8131 92604

info@kem-kueppers.com

KEM Manufacturing Center

Wetzeller Straße 22
93444 Bad Kötzing
Germany

T. +49 9941 9423-0
F. +49 9941 9423-23

production@kem-kueppers.com

KEM Sales

Liebigstraße 5
85757 Karlsfeld
Germany

T. +49 8131 59391-100
F. +49 8131 92604

sales@kem-kueppers.com

KEM Service & Repairs

Wetzeller Straße 22
93444 Bad Kötzing
Germany

T. +49 9941 9423-37
F. +49 9941 9423-24

service@kem-kueppers.com

*More distributors & partners can be found at:
www.kem-kueppers.com*