

Technical Datasheet



FlowPod

Local Display
with HART and Exd Certification

FlowPod

The FlowPod is TASI Flow Group's latest flow indication display unit. Utilizing state-of-the-art technology, the FlowPod comes in a compact and light weight flame proof stainless steel enclosure that is only 85 mm in diameter and weighs in at only 1.6 kg. The FlowPod is one of the smallest flow displays for the Chemical Injection industry on the market today.

The back-lit display with high contrast, large flow rate indication and totalizer digits, enables the display to be easily read at distance in poorly lit conditions. The FlowPod comes equipped with memory card facility.

A memory card has been developed by TASI Flow Group for 2-wire low powered systems. The memory card enables calibration data to be easily swapped without having to remove the FlowPod from the installation or having to perform difficult calibration curve changes on site. The memory card has data logging capabilities to enable recalibration to be tailored to flow rate of the meter as specified by the client.

The FlowPod can be controlled without having to power down, by using HART commands or by the integrated magnetic switches that allows for simple programming and menu selection.

The display can either be direct mounted or remote mounted using suitable armoured signal cable or conduit.

The standard specification includes HART 7 protocol output on a 2- or 4- wire 24 V DC powered system.

Applications

Well Injection

- Chemical Injection
- Gas Dehydration
- De-Icing

Well Control

- Topside

Transmission

- Gas Odorization

Chemical & Petrochemical

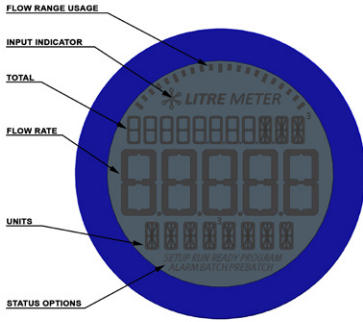
- Gas Sweetening
- Blending

Key Features



| | |
|--------------------|--|
| Ex Protection | ATEX: II 2 G Ex db IIC IECEX: EX db IIC T5 IP66/68 dual certified |
| Temperature Rating | -20 °C up to +75 °C [-4 °F up to +167 °F] |
| Output | 2 or 4 wire, 4 - 20 mA HART 7 programming and monitoring |
| Housing | Compact lightweight DIN 1.4401 [AISI 316] stainless steel housing |
| Features | Rotatable through 360° for optimized viewing angle 2 VFF sensing options (standard and hi-res, both with bidirectional sensing) Removable LM-MC storage card for data logging & offsite programming Local programming Resettable and non-resettable totalizer Batch control |
| Power Supply | 12 - 30 V DC (Exd) |

Display Features



Flow Range Usage

Analogue display of flow rate in 20 steps – programmable.

Input Indicator

Symbol pulses at low flow, as another visual check of flow rate.

Total

A total of 8 digits with the options to display: 'Non Resettable Total', 'Resettable Total' and 'Resettable Reverse Flow Total'.

Flow Rate

The large 5 digits display the real time flow rate. High contrast and large digits allow to be easily read from a distance in poor light conditions.

Units

The option to display the flow rate and total in many different units, depending on your requirements.

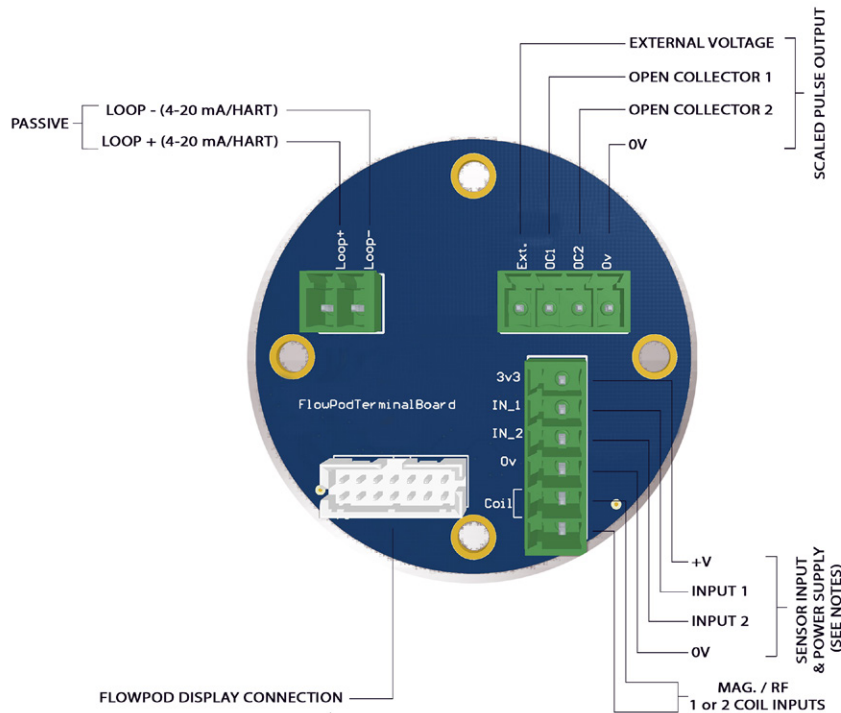
Status Options

Identifies which mode is active as well as providing status messages.

LED Colour Back Light

Change in colour in accordance to flow alarm conditions, available on the 4 wire.

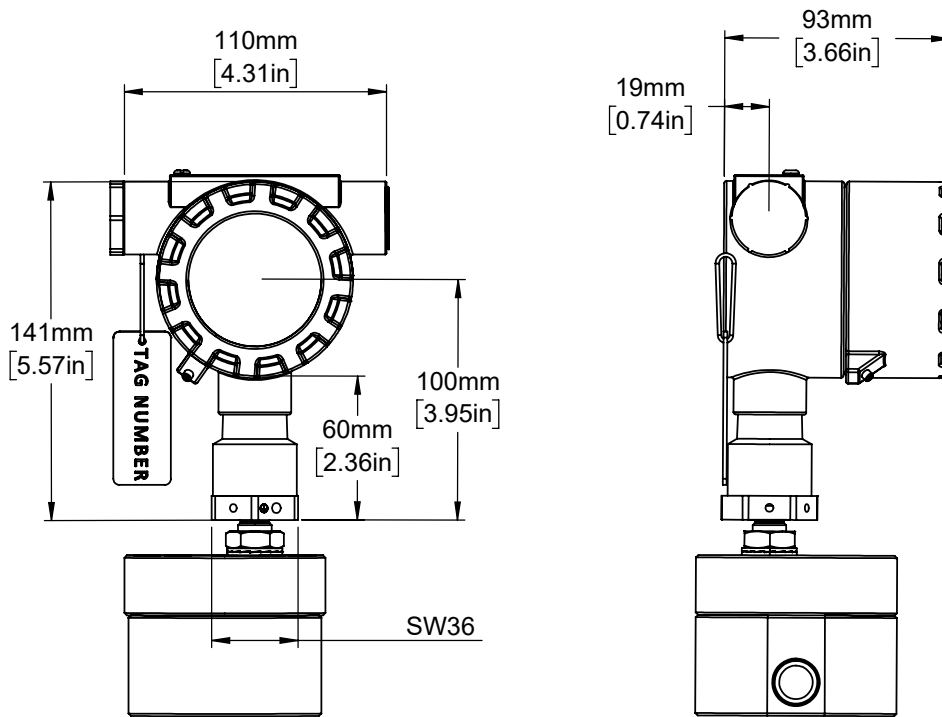
Connections



Note

2 wires > loop powered.
4 wires > external power.

Dimensional Drawing (Direct Mount)



Ordering Code

FlowPod - X - X - X - X

Output Options

4 - 20 mA HART7 output

H

Sensor Options

Standard VFF sensor

Carrier frequency

Magnetic coil/inductive sensor with sine-wave output

Other options: NPN, PNP, Namur (consult factory)

RS
RF
MAG

Enclosure Options

Bottom entry 3/4" NPT, side entries 3/4" NPT with DIN 1.4401 (AISI316) Exd blanking plug

Bottom entry 3/4" NPT, side entries M20x1.5 with DIN 1.4401 (AISI316) Exd blanking plug

E1
E2

Certification Options

2-Wire HART Exd. ATEX, IECEx

4-Wire HART Exd. ATEX, IECEx

2Exd
4Exd



Küppers Elektromechanik GmbH

www.kem-kueppers.com

info@kem-kueppers.com

KEM Headquarters

Liebigstraße 5
85757 Karlsfeld
Germany

T. +49 8131 59391-0
F. +49 8131 92604

info@kem-kueppers.com

KEM Manufacturing Center

Wetzeller Straße 22
93444 Bad Kötzing
Germany

T. +49 9941 9423-0
F. +49 9941 9423-23

production@kem-kueppers.com

KEM Sales

Liebigstraße 5
85757 Karlsfeld
Germany

T. +49 8131 59391-100
F. +49 8131 92604

sales@kem-kueppers.com

KEM Service & Repairs

Wetzeller Straße 22
93444 Bad Kötzing
Germany

T. +49 9941 9423-37
F. +49 9941 9423-24

service@kem-kueppers.com

*More distributors & partners can be found at:
www.kem-kueppers.com*